

# TC22 Series

High-speed 6/8/10-inch CNC Turning Center for Productivity

SG WIA Small High-Speed CNC Turning Center



# Technical Leader

The CNC Turning Center TC Series, designed with SG WIA's engineering expertise to maximize productivity by enhancing rigidity and accuracy of machining.

ITEM	Main Sp.			Sub Sp.	Bed Type		Turret	
	6"	8"	10"	5"	Std. Bed	Long Bed	Std. Turret	BMT45
TC22A	•				•		•	
TC22LA	•					•	•	
TC22MA	•				•			•
TC22LMA	•					•		•
TC22LMSA	•			•		•		•
TC22		•			•		•	
TC22L		•				•	•	
TC22M		•			•			•
TC22LM		•				•		•
TC22LMS		•		•		•		•
TC22LC			•			•	•	
TC22LMC			•			•		•
TC22LMSC			•	•		•		•

- 30° slanted one-piece bed structure with high rigidity
- Ensured high-rigidity applying Roller guideway on all axis (X/Z-axis: 30/36m/min)
- Improved user convenience by applying the latest controller of FANUC
- Prepared user-oriented lineup including long-bed, mill turret and sub-spindle
- Compact structure with internal-motor design (for standard-type bed)
- Ergonomic design for convenient access to chuck and tool





# APPLICATIONS & PARTS

## Reduced machining time by SG WIA's Technique

TC SERIES has been designed with robust box guide, spindle and travel system, maximizing precision and minimizing thermal displacement when process the products.

CARRIER PLANET



SHAFT



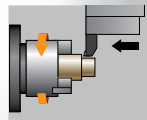
FLANGE



DRIVE GEAR

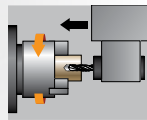


# MACHINING CAPABILITY



O.D Turning  
(Material : SM45C)

Machining Dia.	Ø80 mm (Ø3.1")
Machining depth	4 mm (0.16")
Cutting speed	215 m/min
Spindle rpm	856 r/mim
Forwarding speed	0.5 mm/rev
Chip discharging amount	430 cc/min



U-Drill  
(Material : SM45C)

Tool Dia.	Ø60 mm (Ø2.4")
Cutting speed	190 m/min
Spindle rpm	1,011 r/mim
Forwarding speed	0.17 mm/rev
Chip discharging amount	486 cc/min

TC22LM

❖ The above result might be different by types of processing circumstances.

# 01 BASIC STRUCTURE

The Best Productivity 6" / 8" / 10" CNC Turning Center

## Mill Turret

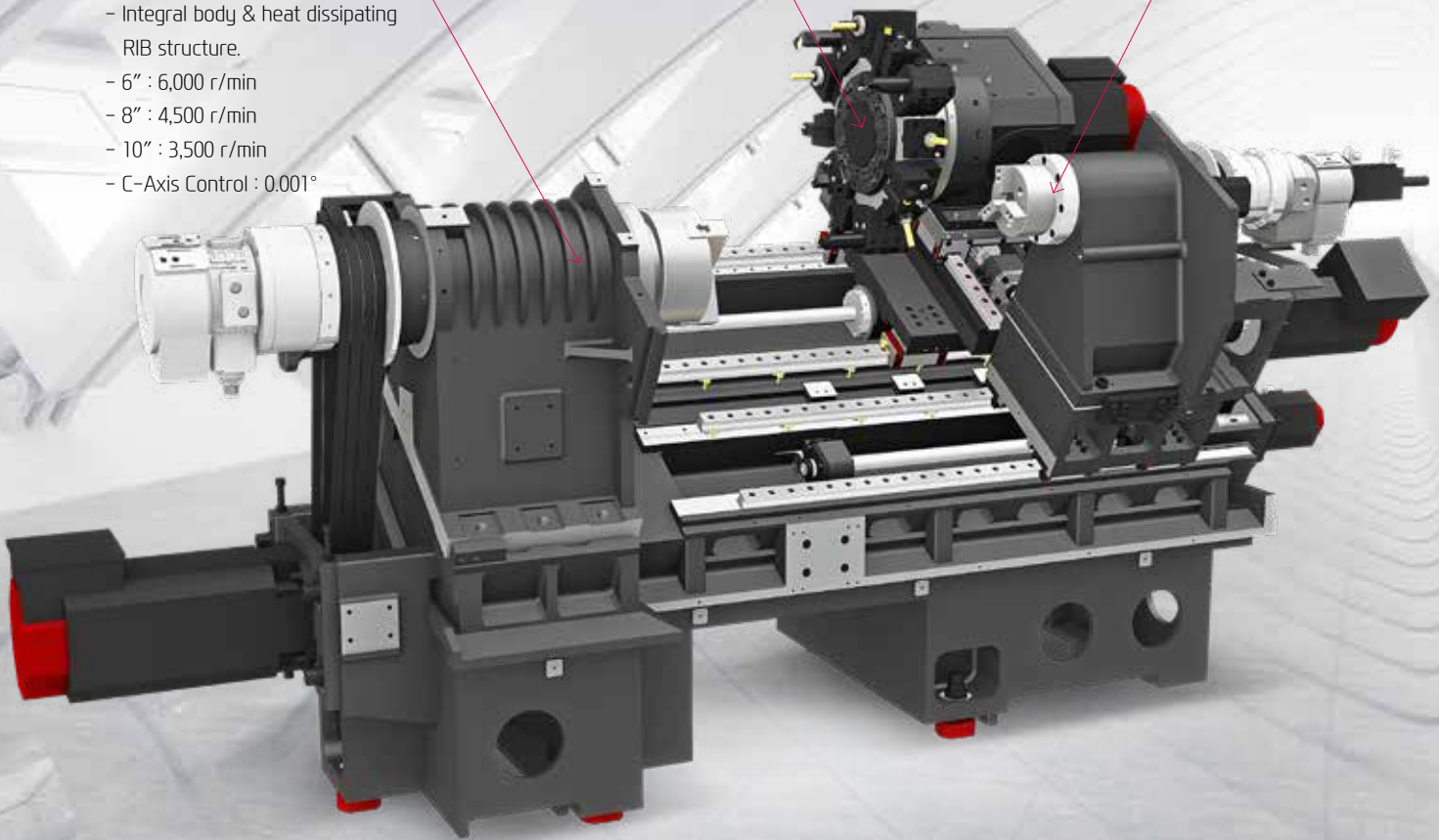
- BMT45 (12 [24] Station)
- 6,000 r/min
- Collet Size : ER20 { $\varnothing 13$  ( $\varnothing 0.51$ "')}

## Sub Spindle

- 5" / 6,000 r/min
- C-Axis Control : 0.001°

## High Precision Spindle

- Integral body & heat dissipating RIB structure.
- 6" : 6,000 r/min
- 8" : 4,500 r/min
- 10" : 3,500 r/min
- C-Axis Control : 0.001°



## Automatic Grease Supply Unit

Automatic grease lubrication system, which does not require frequent refill, is applied as standard to improve user convenience and cost efficiency.

# REDUCTION OF NON-CUTTING TIME BY FAST RAPID SPEED

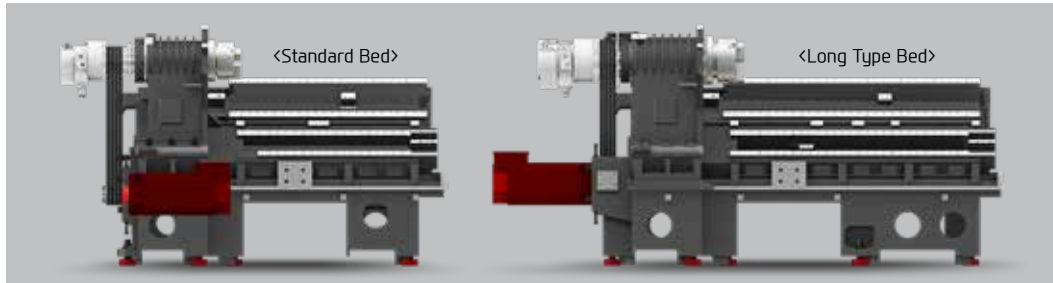
## ALL-IN-ONE TYPE OF BED

### Optimal Structural Analysis

Structural analysis was applied to the design of the machine to increase the tool post body and reduce the machine's height so as to maintain the bed's dynamic rigidity even during high-speed machining. In addition, the TC SERIES bed slope is pitched at 30 degrees to ensure more stable machining.



### ENHANCED VIBRATION ABSORPTION THANKS TO INCREASED GROUND AREA



Floor Space (L×W) - Standard Bed

**2,120×1,610** mm (83.5"×63.4")

Floor Space (L×W) - Long Type Bed

**2,970×1,610** mm (116.9"×63.4")

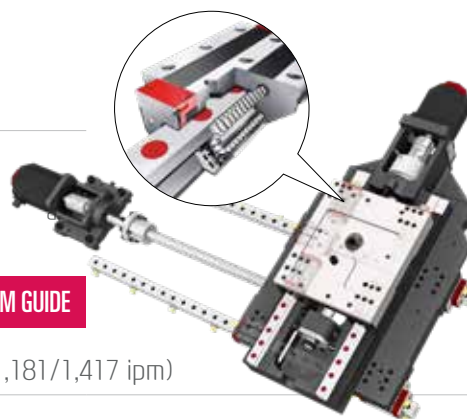
## GUIDEWAY

### High-Speed Roller LM Guideway

Linear roller guideways are applied to reduce non-cutting time bring high rigidity.

**RIGIDITY HAS INCREASED 30% COMPARED TO THE BALL BEARING LM GUIDE**

Rapid Traverse Rate (X/Z) **30/36** m/min (1,181/1,417 ipm)



Travel (X/Z)

Standard Bed

**210/340** mm (8.3"/13.4")

Long Type Bed

**210/560** mm (8.3"/22")

# 02 HIGH PRECISION SPINDLE

Long Lasting, High Accuracy & Excellent Performance CNC Turning Center

## Spindle Specifications

[ ] : Option ● : Power Up

ITEM	Spindle Speed	Motor (Max./Cont.)	Torque (Max./Cont.)	Driving Method
6" Spindle	6,000 rpm (FANUC)	15/11 kW (20/15 HP)	127/70 N·m (93.7/51.6 lbf·ft)	Belt
8" Spindle	4,500 rpm (FANUC)	15/11 kW (20/15 HP)	167/92 N·m (123.2/67.9 lbf·ft)	
	[4,500 rpm (SIEMENS)]	[12.2/9 kW (16.4/12 HP)]	[136.5/100 N·m (100.7/73.8 lbf·ft)]	
10" Spindle	3,500 rpm (FANUC)	18.5/11 kW (25/15 HP)	269/120 N·m (198.4/88.5 lbf·ft)	
	● [3,500 rpm (FANUC)]	● [18.5/15 kW (25/20 HP)]	● [269/164 N·m (198.4/121 lbf·ft)]	
	[3,500 rpm (SIEMENS)]	[17.8/12.5 kW (23.9/16.8 HP)]	[226/160 N·m (166.7/118 lbf·ft)]	
Sub Spindle	6,000 rpm (FANUC)	7.5/3.7 kW (10/5 HP)	63.6/23.6 N·m (46.9/17.4 lbf·ft)	
	[6,000 rpm (SIEMENS)]	[7.4/4.9 kW (9.9/6.6 HP)]	[47/31.1 N·m (34.7/22.9 lbf·ft)]	



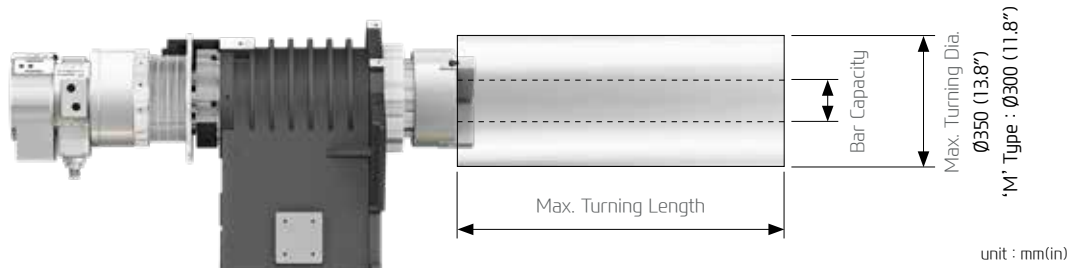
# HEAVY DUTY CUTTING & HIGH ACCURACY

## MAIN SPINDLE

### Specialized in High-speed and Rough Cutting

The 6" main spindle is designed for high-speed machining by applying two and three-row ball bearings to the front and rear, respectively. In addition, the 8" and 10" main spindles are designed to match the rigid spindle structure by combining the double-row roller bearing and the angular contact bearing, which provides excellent performance for heavy-duty cutting.

Moreover, we applied the ribstar belt to minimize the slip and noise of the belt during processing, and this improvement enhanced performance of the work and increased processing stability by minimizing bearing damage caused by inflow of the oil.



Max. Turning Length	Standard Bed		Long Type Bed		Bar Capacity
	Servo Turret	Mill Turret	Servo Turret	Mill Turret	
6 inch	340 (13.4")	309 (12.2")	560 (22")	529 (20.8")	Ø51 (Ø2")
8 inch	307 (12.1")	288 (11.3")	558 (22")	508 (20")	Ø65 (Ø2.6")
10 inch	-	-	549 (21.6")	499 (19.6")	Ø81 (Ø3.2")

❖ C-Axis Control ('M' Type)

C-axis of TC SERIES can be controlled to 0.001° which makes it possible to process various shapes.

## SUB SPINDLE ('S' Type)

The Belt-type sub spindle is designed to minimize thermal displacement during the continuous machining, offering from the heavy-duty cutting to the high-speed machining. When the main spindle cutting is completed, the sub spindle rotation is synchronized with the main spindle allowing the workpiece to be transferred to the sub spindle, and machining can begin on the back side of the workpiece.



# 03 SERVO TURRET

High speed, High Accuracy, Highly Reliable Servo Turret

## Servo Turret

No. of Tools

12<sub>EA</sub>

Tool Size (O.D/I.D)

□ 25/Ø40 mm (□ 1"/Ø1 1/2")

Indexing Time

0.15<sub>sec</sub>

## BMT45 Mill Turret

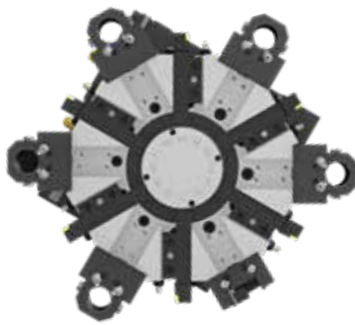
[ ] : Option

Type	Speed	Motor (Max./Cont)	Torque (Max./Cont)	Collet Size
FANUC	6,000 rpm	3.9/2.6 kW (5.2/3.5 HP)	36.7/18.5 N·m (27.1/13.6 lbf·ft)	ER20 / Ø13 (0.6")
[SIEMENS]		[3.7/2.8 kW (5/3.8 HP)]	[35/27 N·m (25.8/19.9 lbf·ft)]	

Std. 12 Station / 12 Position Index, Opt. 12 Station / 24 Position Index - Various machining with increased capacity

# VARIOUS DRIVEN PRECISION BMT TOOL HOLDERS

## SERVO TURRET



### Servo Turret

The turret of TC SERIES is applied with high performance AC servo motor, improving machining reliability. 3-piece coupling shows excellent performance in indexing. Powerful hydraulic tool clamping minimizes tool tip deviation caused by load.

### 70Bar High Pressure Coolant **OPTION**

Turret is designed to utilize 70bar high pressure coolant and it shows optimum performance in machining difficult-to-cut material.



## MILL TURRET

### BMT45 Turret (Mill Turret)

The BMT turret secures the tool with four bolts and key on the tool mounting surface of the turret, making it possible to powerfully fix the tool, ensuring high reliability in rigidity and precision.



#### STRAIGHT MILLING HEAD



#### ANGULAR MILLING HEAD



### Mill Tool Holder

Machining capability has increased with the addition of straight milling head tool holder.

### Increased Rotating Tools

**Straight and angular milling haed 1ea > 2ea, respectively**



### Special Tool

**OPTION**

The TC SERIES can process high value-added products using a variety of rotating tools. In particular, there is a multi-holder for attaching a variety of tools to one holder, and an eccentric rotary tool for handling eccentric parts without additional axis travel, which can realize integration of process with one machine.

❖ Consultation needed when ordering these options.

# 04 USER CONVENIENCE

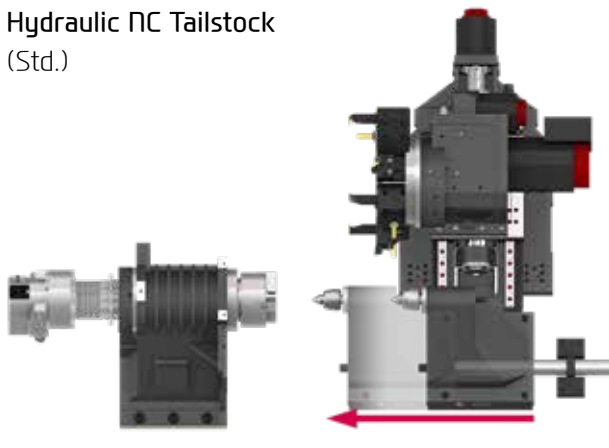
Various Devices for User Friendly

## HYDRAULIC NC TAILSTOCK

### Hydraulic NC Tailstock with Position Control (Long Type Std. / Standard Type Opt.)

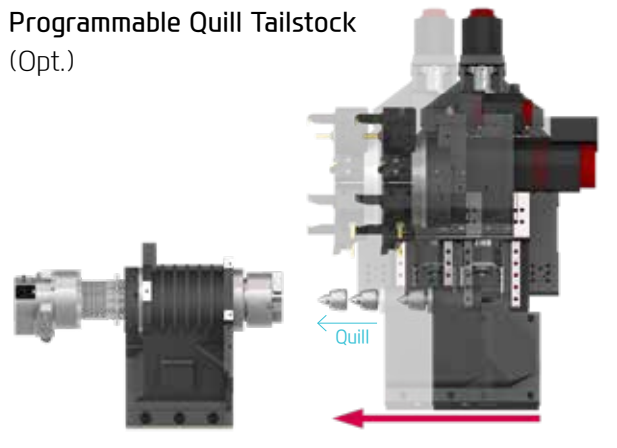
The hydraulic NC tailstock applied to the TC SERIES enables independent transfer through a program independently of the turret movement and it simultaneously achieved "Improvement of user convenience" and "Reduction of cycle time".

Hydraulic NC Tailstock  
(Std.)



- > Structure in which the tailstock moves independently from the turret (Position control : 0.1mm)
- > Stabilization of tailstock body hydraulic pressure
- > Turret moves independently while the tailstock moves to reduce machining setup time
- > Long type standard application (MT#4 live center application)

Programmable Quill Tailstock  
(Opt.)

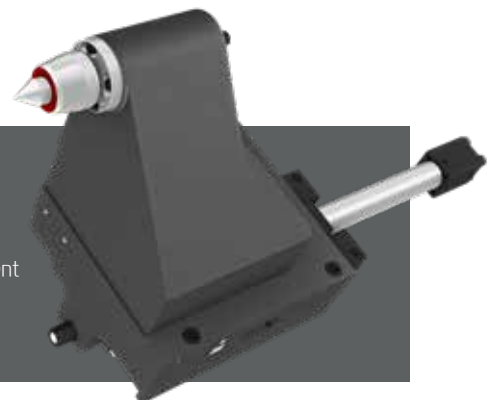


- > A structure that moves by fixing the tailstock to the turret
- > After fixing the tailstock, the quill operated by hydraulic pressure advances to stabilize the material
- > High rigidity tail spindle and enhancement in thrust
- > Suitable for workpieces subject to vibration during machining and heavy machining load



### HW-TMS (TAILSTOCK OPERATION)

This software is capable of manipulation and data management of tailstock operations through intuitive GUI.



## CHIP DISPOSAL SOLUTION

Timely and effective disposal of chips will enhance productivity as well as the working environment.

< Chip Discharge Height – Opt.1 : 860mm (33.9"), Opt. 2 : 1,200mm (47.2") >



Hinge	Chip Type : Roughing Chip, Long Chip, Chip complex	Material : SS41, 45C, Cast Steel	Front-Right Direction
	Highly efficient when disposing a lot of chips. Capable of handling stringy chips..		
Scraper	Chip Type : Finely broken chip blown out	Material : cast Iron, Nonferrous	
	Convenient for shortly cut chips.		
❖ Screw	Chip Type : The lower portion of micro-chips	Material : Steel, Casting	
	Compresses and ejects chips to reduce chip Trouble.		
❖ Drum Filter	Chip Type : Powder, Micro Chip	Material : AL	
	Advantageous in precision, as the chips do not flow in to the coolant nozzle.		

❖ When ordering a screw or drum filter chip conveyor, prior consult with hyudai wia's sales person.

## HIGH PRECISION SYSTEM & COOLANT UNIT



Automatic Q-Setter



Linear Scale



Work Probe



Standard Coolant (Nozzle)



Chuck Coolant (Upper Chuck)



Chuck Air Blow (Upper Chuck)

# 05 FANUC – Smart Plus

The Compatible All-round Control



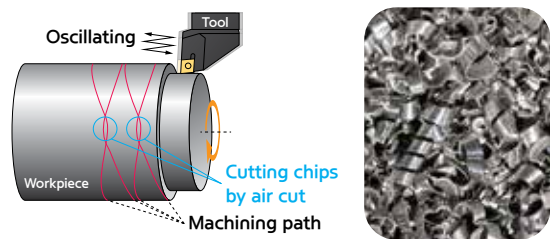
15" Touch-type Monitor as a standard



Fast Cycle Time Technology	Smart Machine Control	Fine Surface Technology
Smart Servo Control Technology	Conversational Program	SmartGuide-i
Machining-aid Function	i-HMI	5120M (2MB)
No. of Registerable Programs 1000 EA	Part Program Storage	

## Servo Learning Oscillation Function for Chip Breaking **OPTION**

- Machining Method : he tool cuts the workpiece moving in a zigzag pattern. (Oscillating) → Air cut section occurs → Long chips break
- Advantage : Increase tool life, Enhance surface finishing, Improve chip disposal
- Machine : All turning centers with FANUC controller (Option)



(Developed special screen page for servo learning oscillation function / Even when this function is applied, the cycle time remains same.)

**MMS** (Machine Monitoring System)



**MMS Cloud**

A cloud server-based equipment monitoring system for collecting and analyzing facility operation data.

Manufacturing big data solution with design, manufacturing, and intelligence technology of SG-WIA  
(Big data collection/Analysis/Visualization)

**SMART CNC** (FANUC Smart Plus)



**1. Dialogue Program (Smart Guide-i)**

This software offers the maximum user convenience through dialogue manipulation from setup to processing. This includes writing processing programs and simulation checks.

**2. LAUNCHER**

This software offers shortcuts for quick access to specialized features and frequently used features.

# SPECIFICATIONS

## TC22A Series Standard & Optional

Spindle		A	MA	LA	LMA	LMSA
Main Sp. Hollow Chuck 3 Jaw	6"	●	●	●	●	●
Main Sp. Solid Chuck 3 Jaw	6"	○	○	○	○	○
Sub Sp. Hollow Chuck 3 Jaw	5"	-	-	-	-	●
	6"	-	-	-	-	○
Sub Sp. Solid Chuck 3 Jaw	5"	-	-	-	-	○
Standard Soft Jaw (1set)		●	●	●	●	●
Chuck Clamp Foot Switch		●	●	●	●	●
2 Steps Hyd. Pressure Device		○	○	○	○	○
Spindle Inside Stopper		☆	☆	☆	☆	☆
Main Spindle Cs-axis (0.001")		-	●	-	●	●
Sub Spindle Cs-axis (0.001")		-	-	-	-	●
Chuck Open/Close Confirmation Device		●	●	●	●	●
2 Steps Chuck Foot Switch		○	○	○	○	○
Sub Chuck Foot Switch		-	-	-	-	●
<b>Turret</b>						
Tool Holder		●	●	●	●	●
Mill Turret	BMT45	-	●	-	●	●
	BMT55	-	○	-	○	○
Straight Milling Head	Collet Type, 2ea	-	●	-	●	●
Angular Milling Head	Collet Type, 2ea	-	●	-	●	●
Straight Milling Head	Adapter Type	-	○	-	○	○
Angular Milling Head	Adapter Type	-	○	-	○	○
Boring Sleeve		●	●	●	●	●
Drill Socket		○	○	○	○	○
U-Drill Holder		●	●	●	●	●
U-Drill Cap		●	●	●	●	●
Angle Head		-	☆	-	☆	☆
Adapter Set		-	○	-	○	○
<b>Tail Stock &amp; Steady Rest</b>						
Hydraulic NC Tail Stock (Std. Live Center)		○	○	●	●	-
Quill Type Tail Stock	Manual	○	○	○	○	-
	Programmable	○	○	○	○	-
	MT4 Live	○	○	○	○	-
	MT5 Live	○	○	○	○	-
High Precision Live Center		☆	☆	☆	☆	-
Quill Forward/Reverse Confirmation Device		○	○	○	○	-
Tail Stock Foot Switch		○	○	○	○	-
<b>Coolant &amp; Air Blow</b>						
Standard Coolant (Nozzle)		●	●	●	●	●
Chuck Coolant (Upper Chuck)		○	○	○	○	○
Gun Coolant		○	○	○	○	○
Through Spindle Coolant (Only for Special Chuck)		☆	☆	☆	☆	☆
Bed Flushing Coolant (Only for Rear Collant Tank)		○	○	○	○	○
Chuck Air Blow (Upper Chuck)		○	○	○	○	○
Sub Chuck Air Blow		-	-	-	-	-
Turnmill Through Coolant		-	○	-	○	○
Tail Stock Air Blow (Upper Tail Stock)		○	○	○	○	-
Turret Air Blow		☆	☆	☆	☆	☆
Air Gun		○	○	○	○	○
Through Spindle Air Blow (Only for Special Chuck)		-	-	-	-	-
High Pressure Coolant	0.5Bar	●	●	●	●	●
	6Bar	○	○	○	○	○
	20Bar	○	○	○	○	○
	70Bar	○	○	○	○	○
Power Coolant System (For Automation)		☆	☆	☆	☆	☆
<b>Chip Disposal</b>						
Coolant Tank	Front(150ℓ [39.6 gal])	●	●	-	-	-
	Front(200ℓ [52.8 gal])	-	-	●	●	●
	Rear(150ℓ [39.6 gal])	○	○	○	○	○
Chip Conveyor (Hinge/Scraper/Screw)	Front (Right)	○	○	○	○	○
	Rear (Rear)	○	○	○	○	○
	Front (Rear)	○	○	○	○	○
Special Chip Conveyor (Drum Filter)		-	-	-	-	-
Chip Wagon	Standard (180ℓ [47.5 gal])	○	○	○	○	○
	Swing (200ℓ [52.8 gal])	○	○	○	○	○
	Large Size (330ℓ [87.2 gal])	○	○	○	○	○
	Customized	☆	☆	☆	☆	☆
<b>Safety Device</b>						
Total Splash Guard		●	●	●	●	●
Back Spin Torque Limiter (BST)		●	●	●	●	●
Chuck Hydraulic Pressure Maintenance Interlock		☆	☆	☆	☆	☆

● : Standard ○ : Option ☆ : Prior Consultation - : Non Applicable

Electric Device		A	MA	LA	LMA	LMSA
Call Light	1Color : ●	●	●	●	●	●
Call Light & Buzzer	3Color : ● ● ● B	○	○	○	○	○
Electric Cabinet Light		○	○	○	○	○
Remote MPG		○	○	○	○	○
Work Counter	Digital	○	○	○	○	○
Total Counter	Digital	○	○	○	○	○
Tool Counter	Digital	○	○	○	○	○
Multi Tool Counter	6ea	○	○	○	○	○
	9ea	○	○	○	○	○
Electric Circuit Breaker		○	○	○	○	○
AVR (Auto Voltage Regulator)		☆	☆	☆	☆	☆
Transformer	25kVA	○	○	○	○	-
	30kVA	-	-	-	-	○
Auto Power Off		○	○	○	○	○
<b>Measurement</b>						
Q-Setter		○	○	○	○	○
Automatic Q-Setter		○	○	○	○	○
Work Close Confirmation Device (Only for Special Chuck)	TACO	○	○	○	○	○
	SMC	○	○	○	○	○
Work Setter		☆	☆	☆	☆	☆
Linear Scale	X axis	○	○	○	○	○
	Z axis	○	○	○	○	○
Coolant Level Sensor (Only for Chip Conveyor)		☆	☆	☆	☆	☆
<b>Environment</b>						
Air Conditioner	FANUC	○	○	○	○	○
	SIEMENS	-	-	-	-	-
Dehumidifier		○	○	○	○	○
Oil Mist Collector		☆	☆	☆	☆	☆
Oil Skimmer (Only for Chip Conveyor)		○	○	○	○	○
ML (Minimal Quantity Lubrication)		☆	☆	☆	☆	☆
<b>Fixture &amp; Automation</b>						
Auto Door	High-speed	○	○	○	○	○
Auto Shutter (Only for Automatic System)		○	○	○	○	○
Sub Operation Pannel		☆	☆	☆	☆	☆
Bar Feeder Interface		○	○	○	○	○
Bar Feeder		☆	☆	☆	☆	☆
Extra M-Code 4ea		○	○	○	○	○
Automation Interface		☆	☆	☆	☆	☆
I/O Extension (IN & OUT)	16 Contact	○	○	○	○	○
	32 Contact	○	○	○	○	○
Parts Catcher	Main SP.	○	○	○	○	○
	Sub SP.	-	-	-	-	○
Sub Spindle Work Pusher (Spring Type)		-	-	-	-	○
Sub Spindle Work Ejector (Pneumatic Type)		-	-	-	-	○
Turret Work Pusher (For Automation)		☆	☆	☆	☆	☆
Parts Conveyor (Required Main Parts Catcher)		○	○	○	○	○
Semi Automation System		☆	☆	☆	☆	☆
<b>Hyd. Device</b>						
Standard Hyd. Cylinder	Hollow	●	●	●	●	●
Standard Hyd. Unit {35bar (507.6 psi)}	15ℓ (4gal)	●	●	●	●	-
	20ℓ (5.3gal)	-	-	-	-	●
<b>S/W</b>						
Dialogue Program (HW-DPRO)		○	○	○	○	○
DNC software (HW-eDNC)		○	○	○	○	○
Machine Monitoring System (HW-MMS Cloud)		☆	☆	☆	☆	☆
Smart Guide-i : FANUC		●	●	●	●	●
Smart S/W		☆	☆	☆	☆	☆
<b>ETC</b>						
Tool Box		●	●	●	●	●
Customized Color	Need Munsell No.	☆	☆	☆	☆	☆
CAD & CAM		☆	☆	☆	☆	☆

❖ Thermal Displacement Compensation device is recommended, when more than 6 bar of high pressure coolant is applied, for the high quality machining.

Specifications are subject to change without notice for improvement. / Please refer to the S/W catalog (IRIS) for details by S/W product.



# SPECIFICATIONS

## TC22 Series Standard & Optional

		TC22	M	L	LM	LMS
<b>Spindle</b>						
Main Sp. Hollow Chuck 3 Jaw	8"	●	●	●	●	●
Main Sp. Solid Chuck 3 Jaw	8"	○	○	○	○	○
Sub Sp. Hollow Chuck 3 Jaw	5"	-	-	-	-	●
Sub Sp. Solid Chuck 3 Jaw	6"	-	-	-	-	○
Sub Sp. Solid Chuck 3 Jaw	5"	-	-	-	-	○
Standard Soft Jaw (1set)		●	●	●	●	●
Chuck Clamp Foot Switch		●	●	●	●	●
2 Steps Hyd. Pressure Device		○	○	○	○	○
Spindle Inside Stopper		☆	☆	☆	☆	☆
Main Spindle Cs-axis (0.001")		-	●	-	●	●
Sub Spindle Cs-axis (0.001")		-	-	-	-	●
Chuck Open/Close Confirmation Device		●	●	●	●	●
2 Steps Chuck Foot Switch		○	○	○	○	○
Sub Chuck Foot Switch		-	-	-	-	●
<b>Turret</b>						
Tool Holder		●	●	●	●	●
Mill Turret	BMT45	-	●	-	●	●
Mill Turret	BMT55	-	○	-	○	○
Straight Milling Head	Collet Type, 2ea	-	●	-	●	●
Angular Milling Head	Collet Type, 2ea	-	●	-	●	●
Straight Milling Head	Adapter Type	-	○	-	○	○
Angular Milling Head	Adapter Type	-	○	-	○	○
Boring Sleeve		●	●	●	●	●
Drill Socket		○	○	○	○	○
U-Drill Holder		●	●	●	●	●
U-Drill Cap		●	●	●	●	●
Angle Head		-	☆	-	☆	☆
Adapter Set		-	○	-	○	○
<b>Tail Stock &amp; Steady Rest</b>						
Hydraulic NC Tail Stock (Std. Live Center)		○	○	●	●	-
Quill Type Tail Stock	Manual	○	○	○	○	-
	Programmable	○	○	○	○	-
	MT4 Live	○	○	○	○	-
	MT5 Live	○	○	○	○	-
High Precision Live Center	MT4 Built-in	○	○	○	○	-
	MT4 Live	○	○	○	○	-
Quill Forward/Reverse Confirmation Device		○	○	○	○	-
Tail Stock Foot Switch		○	○	○	○	-
<b>Coolant &amp; Air Blow</b>						
Standard Coolant (Nozzle)		●	●	●	●	●
Chuck Coolant (Upper Chuck)		○	○	○	○	○
Gun Coolant		○	○	○	○	○
Through Spindle Coolant (Only for Special Chuck)		☆	☆	☆	☆	☆
Bed Flushing Coolant (Only for Rear Collant Tank)		○	○	○	○	○
Chuck Air Blow (Upper Chuck)		○	○	○	○	○
Sub Chuck Air Blow		-	-	-	-	○
Turnmill Through Coolant		-	-	-	-	○
Tail Stock Air Blow (Upper Tail Stock)		○	○	○	○	-
Turret Air Blow		☆	☆	☆	☆	☆
Air Gun		○	○	○	○	○
Through Spindle Air Blow (Only for Special Chuck)		-	-	-	-	-
High Pressure Coolant	0.5Bar	●	●	●	●	●
	6Bar	○	○	○	○	○
	20Bar	○	○	○	○	○
	70Bar	○	○	○	○	○
Power Coolant System (For Automation)		☆	☆	☆	☆	☆
<b>Chip Disposal</b>						
Coolant Tank	Front(150 ℓ [39.6 gal])	●	●	-	-	-
	Front(200 ℓ [52.8 gal])	-	-	●	●	●
	Rear(150 ℓ [39.6 gal])	○	○	○	○	○
Chip Conveyor (Hinge/Scraper/Screw)	Front (Right)	○	○	○	○	○
	Rear (Rear)	○	○	○	○	○
	Front (Rear)	○	○	○	○	○
Special Chip Conveyor (Drum Filter)		-	-	-	-	-
Chip Wagon	Standard (180 ℓ [47.5 gal])	○	○	○	○	○
	Swing (200 ℓ [52.8 gal])	○	○	○	○	○
	Large Size (330 ℓ [87.2 gal])	○	○	○	○	○
	Customized	☆	☆	☆	☆	☆
<b>Safety Device</b>						
Total Splash Guard		●	●	●	●	●
Back Spin Torque Limiter (BST)		●	●	●	●	●
Chuck Hydraulic Pressure Maintenance Interlock		☆	☆	☆	☆	☆

● : Standard ○ : Option ☆ : Prior Consultation - : Non Applicable

		TC22	M	L	LM	LMS
<b>Electric Device</b>						
Call Light	1Color : ●	●	●	●	●	●
Call Light & Buzzer	3Color : ●●●	○	○	○	○	○
Electric Cabinet Light		○	○	○	○	○
Remote MPG		○	○	○	○	○
Work Counter	Digital	○	○	○	○	○
Total Counter	Digital	○	○	○	○	○
Tool Counter	Digital	○	○	○	○	○
Multi Tool Counter	6ea	○	○	○	○	○
	9ea	○	○	○	○	○
Electric Circuit Breaker	FANUC	○	○	○	○	○
	SIEMENS	-	-	-	-	-
AVR (Auto Voltage Regulator)		☆	☆	☆	☆	☆
Transformer	25kVA	○	○	○	○	-
	30kVA	-	-	-	-	○
Auto Power Off		○	○	○	○	○
<b>Measurement</b>						
Q-Setter		○	○	○	○	○
Automatic Q-Setter		○	○	○	○	○
Work Close Confirmation Device (Only for Special Chuck)	TACO	○	○	○	○	○
Work Close Confirmation Device (Only for Special Chuck)	SMC	○	○	○	○	○
Work Setter		☆	☆	☆	☆	☆
Linear Scale	X axis	○	○	○	○	○
	Z axis	○	○	○	○	○
Coolant Level Sensor (Only for Chip Conveyor)		☆	☆	☆	☆	☆
<b>Environment</b>						
Air Conditioner	FANUC	○	○	○	○	○
	SIEMENS	○	○	○	○	●
Dehumidifier		○	○	○	○	○
Oil Mist Collector		☆	☆	☆	☆	☆
Oil Skimmer (Only for Chip Conveyor)		○	○	○	○	○
MQL (Minimal Quantity Lubrication)		☆	☆	☆	☆	☆
<b>Fixture &amp; Automation</b>						
Auto Door	High-speed	○	○	○	○	○
Auto Shutter (Only for Automatic System)		○	○	○	○	○
Sub Operation Panel		☆	☆	☆	☆	☆
Bar Feeder Interface		○	○	○	○	○
Bar Feeder		☆	☆	☆	☆	☆
Extra M-Code 4ea		○	○	○	○	○
Automation Interface		☆	☆	☆	☆	☆
I/O Extension (IN & OUT)	16 Contact	○	○	○	○	○
	32 Contact	○	○	○	○	○
Parts Catcher	Main SP.	○	○	○	○	○
	Sub SP.	-	-	-	-	○
Sub Spindle Work Pusher (Spring Type)		-	-	-	-	○
Sub Spindle Work Ejector (Pneumatic Type)		-	-	-	-	○
Turret Work Pusher (For Automation)		☆	☆	☆	☆	☆
Parts Conveyor (Required Main Parts Catcher)		○	○	○	○	○
Semi Automation System		☆	☆	☆	☆	☆
<b>Hyd. Device</b>						
Standard Hyd. Cylinder	Hollow	●	●	●	●	●
Standard Hyd. Unit (35bar (507.6 psi))	15 ℓ (4gal)	●	●	●	●	-
	20 ℓ (5.3gal)	-	-	-	-	●
<b>S/W</b>						
Dialogue Program (HW-DPRO)		○	○	○	○	○
DFC software (HW-eDFC)		○	○	○	○	○
Machine Monitoring System (HW-MMS Cloud)		☆	☆	☆	☆	☆
Smart Guide-i : FANUC		●	●	●	●	●
Smart S/W		☆	☆	☆	☆	☆
<b>ETC</b>						
Tool Box		●	●	●	●	●
Customized Color	Need Munsell No.	☆	☆	☆	☆	☆
CAD & CAM		☆	☆	☆	☆	☆

❖ Thermal Displacement Compensation device is recommended, when more than 6 bar of high pressure coolant is applied, for the high quality machining.

Specifications are subject to change without notice for improvement. / Please refer to the S/W catalog (IRIS) for details by S/W product.

# SPECIFICATIONS

## TC22C Series Standard & Optional

Spindle		LC	LMC	LMSC
Main Sp. Hollow Chuck 3 Jaw	10"	●	●	●
Main Sp. Solid Chuck 3 Jaw	10"	○	○	○
Sub Sp. Hollow Chuck 3 Jaw	5"	-	-	●
	6"	-	-	○
Sub Sp. Solid Chuck 3 Jaw	5"	-	-	○
Standard Soft Jaw (1set)		●	●	●
Chuck Clamp Foot Switch		●	●	●
2 Steps Hyd. Pressure Device		○	○	○
Spindle Inside Stopper		☆	☆	☆
Main Spindle Cs-axis (0.001")		-	●	●
Sub Spindle Cs-axis (0.001")		-	-	●
Chuck Open/Close Confirmation Device		●	●	●
2 Steps Chuck Foot Switch		○	○	○
Sub Chuck Foot Switch		-	-	●
<b>Turret</b>				
Tool Holder		●	●	●
Mill Turret	BMT45	-	○	●
	BMT55	-	○	○
Straight Milling Head	Collet Type, 2ea	-	●	●
Angular Milling Head	Collet Type, 2ea	-	●	●
Straight Milling Head	Adapter Type	-	○	○
Angular Milling Head	Adapter Type	-	○	○
Boring Sleeve (U-drill Holder/Sleeve : Public Use)		●	●	●
Drill Socket		○	○	○
U-Drill Holder		●	●	●
U-Drill Cap		●	●	●
Angle Head		-	☆	☆
Adapter Set		-	○	○
<b>Tail Stock &amp; Steady Rest</b>				
Hydraulic NC Tail Stock (Std. Live Center)		●	●	-
Quill Type Tail Stock	Manual	○	○	-
	Programmable	○	○	-
	MT4 Live	○	○	-
	MT5 Live	○	○	-
	MT4 Built-in	○	○	-
High Precision Live Center		☆	☆	-
Quill Forward/Reverse Confirmation Device		○	○	-
Tail Stock Foot Switch		○	○	-
<b>Coolant &amp; Air Blow</b>				
Standard Coolant (Nozzle)		●	●	●
Chuck Coolant (Upper Chuck)		○	○	○
Gun Coolant		○	○	○
Through Spindle Coolant (Only for Special Chuck)		☆	☆	☆
Bed Flushing Coolant (Only for Rear Collant Tank)		○	○	○
Chuck Air Blow (Upper Chuck)		○	○	○
Sub Chuck Air Blow		-	-	○
Turnmill Through Coolant		-	○	○
Tail Stock Air Blow (Upper Tail Stock)		○	○	-
Turret Air Blow		☆	☆	☆
Air Gun		○	○	○
Through Spindle Air Blow (Only for Special Chuck)		-	-	-
High Pressure Coolant	0.5Bar	●	●	●
	6Bar	○	○	○
	20Bar	○	○	○
	70Bar	○	○	○
Power Coolant System (For Automation)		☆	☆	☆
<b>Chip Disposal</b>				
Coolant Tank	Front(150 ℓ [39.6 gal])	-	-	-
	Front(200 ℓ [52.8 gal])	●	●	●
	Rear(150 ℓ [39.6 gal])	○	○	○
Chip Conveyor (Hinge/Scraper/Screw)	Front (Right)	○	○	○
	Rear (Rear)	○	○	○
	Front (Rear)	○	○	○
Special Chip Conveyor (Drum Filter)		-	-	-
Chip Wagon	Standard (180 ℓ [47.5 gal])	○	○	○
	Swing (200 ℓ [52.8 gal])	○	○	○
	Large Size (330 ℓ [87.2 gal])	○	○	○
	Customized	☆	☆	☆
<b>Safety Device</b>				
Total Splash Guard		●	●	●
Back Spin Torque Limiter (BST)		●	●	●
Chuck Hydraulic Pressure Maintenance Interlock		☆	☆	☆

● : Standard ○ : Option ☆ : Prior Consultation - : Non Applicable

Electric Device		LC	LMC	LMSC
Call Light	1Color : ●	●	●	●
Call Light & Buzzer	3Color : ● ● ● B	○	○	○
Electric Cabinet Light		○	○	○
Remote MPG		○	○	○
Work Counter	Digital	○	○	○
Total Counter	Digital	○	○	○
Tool Counter	Digital	○	○	○
Multi Tool Counter	6ea	○	○	○
	9ea	○	○	○
Electric Circuit Breaker	FANUC	○	○	○
	SIEMENS	-	-	-
AVR (Auto Voltage Regulator)		☆	☆	☆
Transformer	25kVA	○	○	-
	30kVA	-	-	○
Auto Power Off		○	○	○
<b>Measurement</b>				
Q-Setter		○	○	○
Automatic Q-Setter		○	○	○
Work Close Confirmation Device (Only for Special Chuck)	TACO	○	○	○
	SMC	○	○	○
Work Setter		☆	☆	☆
Linear Scale	X axis	○	○	○
	Z axis	○	○	○
Coolant Level Sensor (Only for Chip Conveyor)		☆	☆	☆
<b>Environment</b>				
Air Conditioner	FANUC	○	○	○
	SIEMENS	○	○	●
Dehumidifier		○	○	○
Oil Mist Collector		☆	☆	☆
Oil Skimmer (Only for Chip Conveyor)		○	○	○
MLQ (Minimal Quantity Lubrication)		☆	☆	☆
<b>Fixture &amp; Automation</b>				
Auto Door	High-speed	○	○	○
Auto Shutter (Only for Automatic System)		○	○	○
Sub Operation Pannel		☆	☆	☆
Bar Feeder Interface		○	○	○
Bar Feeder		☆	☆	☆
Extra M-Code 4ea		○	○	○
Automation Interface		☆	☆	☆
I/O Extension (IN & OUT)	16 Contact	○	○	○
	32 Contact	○	○	○
Parts Catcher	Main SP.	○	○	○
	Sub SP.	-	-	○
Sub Spindle Work Pusher (Spring Type)		-	-	○
Sub Spindle Work Ejector (Pneumatic Type)		-	-	○
Turret Work Pusher (For Automation)		☆	☆	☆
Parts Conveyor (Required Main Parts Catcher)		○	○	○
Semi Automation System		☆	☆	☆
<b>Hyd. Device</b>				
Standard Hyd. Cylinder	Hollow	●	●	●
Standard Hyd. Unit (35bar (507.6 psii))	15 ℓ (4gal)	●	●	-
	20 ℓ (5.3gal)	-	-	●
<b>S/W</b>				
Dialogue Program (HW-DPRO)		○	○	○
DNC software (HW-eDNC)		○	○	○
Machine Monitoring System (HW-MMS Cloud)		☆	☆	☆
Smart Guide-1 : FANUC		●	●	●
Smart S/W		☆	☆	☆
<b>ETC</b>				
Tool Box		●	●	●
Customized Color	Need Munsell No.	☆	☆	☆
CAD & CAM		☆	☆	☆

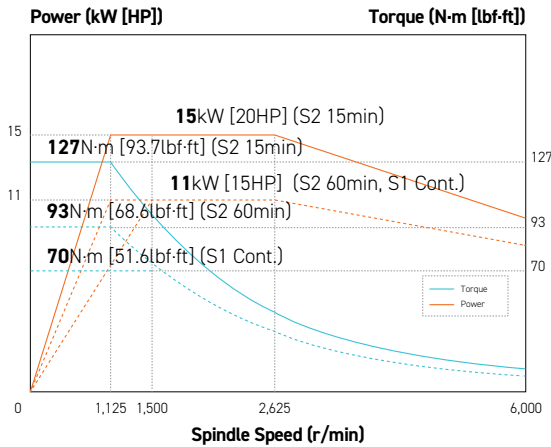
❖ Thermal Displacement Compensation device is recommended, when more than 6 bar of high pressure coolant is applied, for the high quality machining.

Specifications are subject to change without notice for improvement. / Please refer to the S/W catalog (IRIS) for details by S/W product.

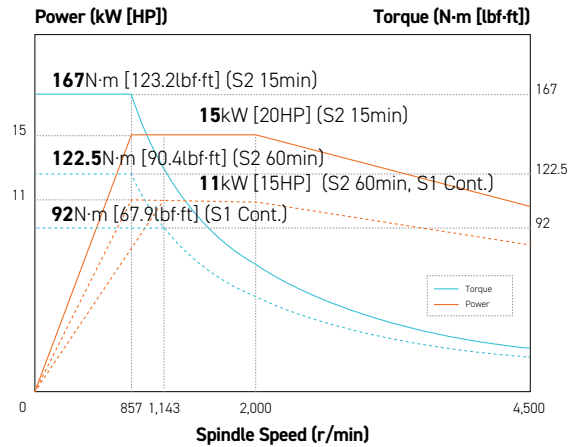
# SPECIFICATIONS

## FANUC – Smart Plus Spindle Output/Torque Diagram

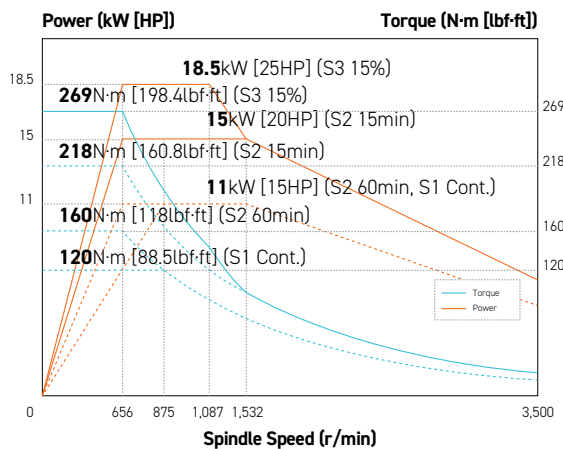
### TC22A Series 6,000 rpm



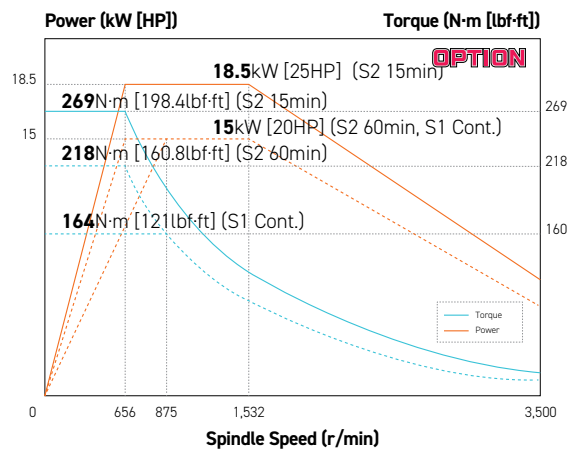
### TC22 Series 4,500 rpm



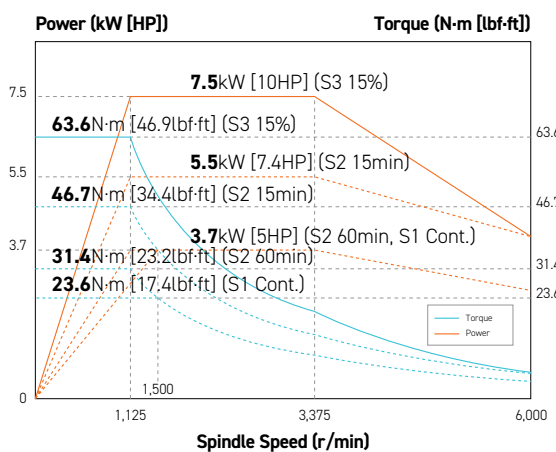
### TC22C Series 3,500 rpm



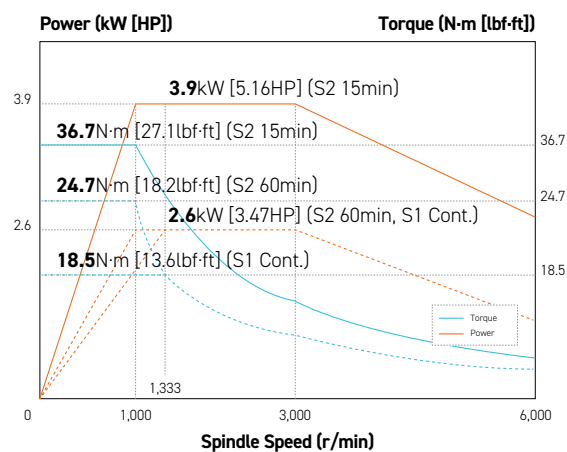
### TC22C Series 3,500 rpm (Power Up)



### Sub Spindle 6,000 rpm



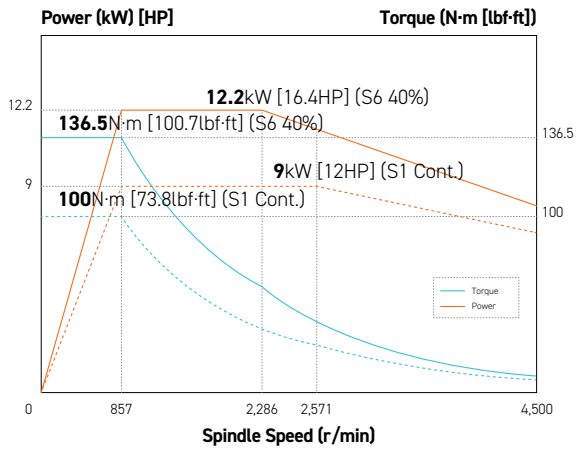
### Mill Turret 6,000 rpm



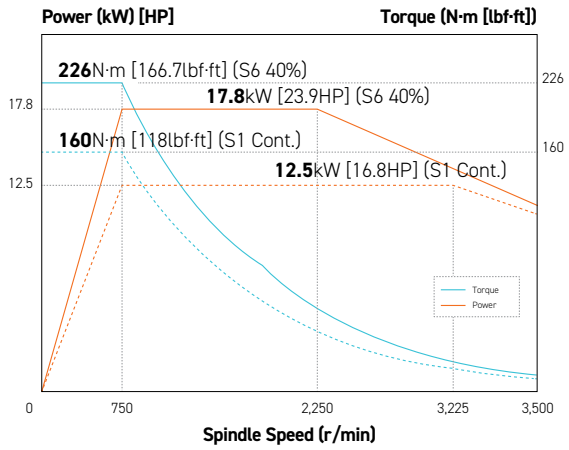
# SPECIFICATIONS

## SIEMENS Spindle Output/Torque Diagram

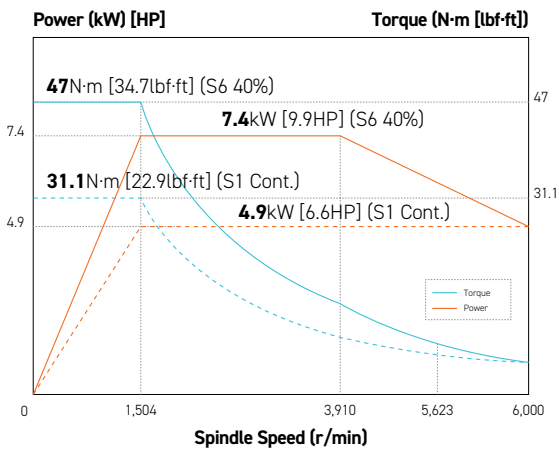
### TC22 Series 4,500 rpm (SIEMENS)



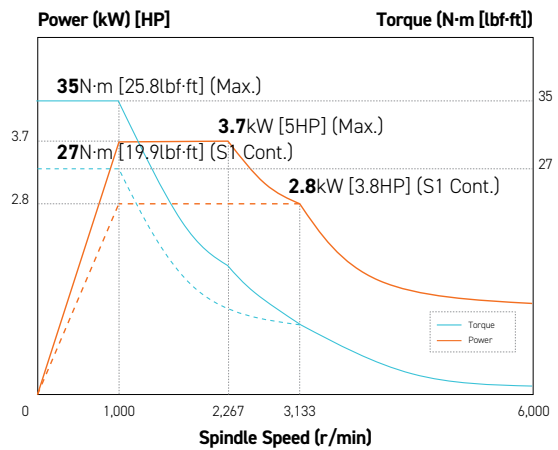
### TC22C Series 3,500 rpm (SIEMENS)



### Sub Spindle 6,000 rpm (SIEMENS)



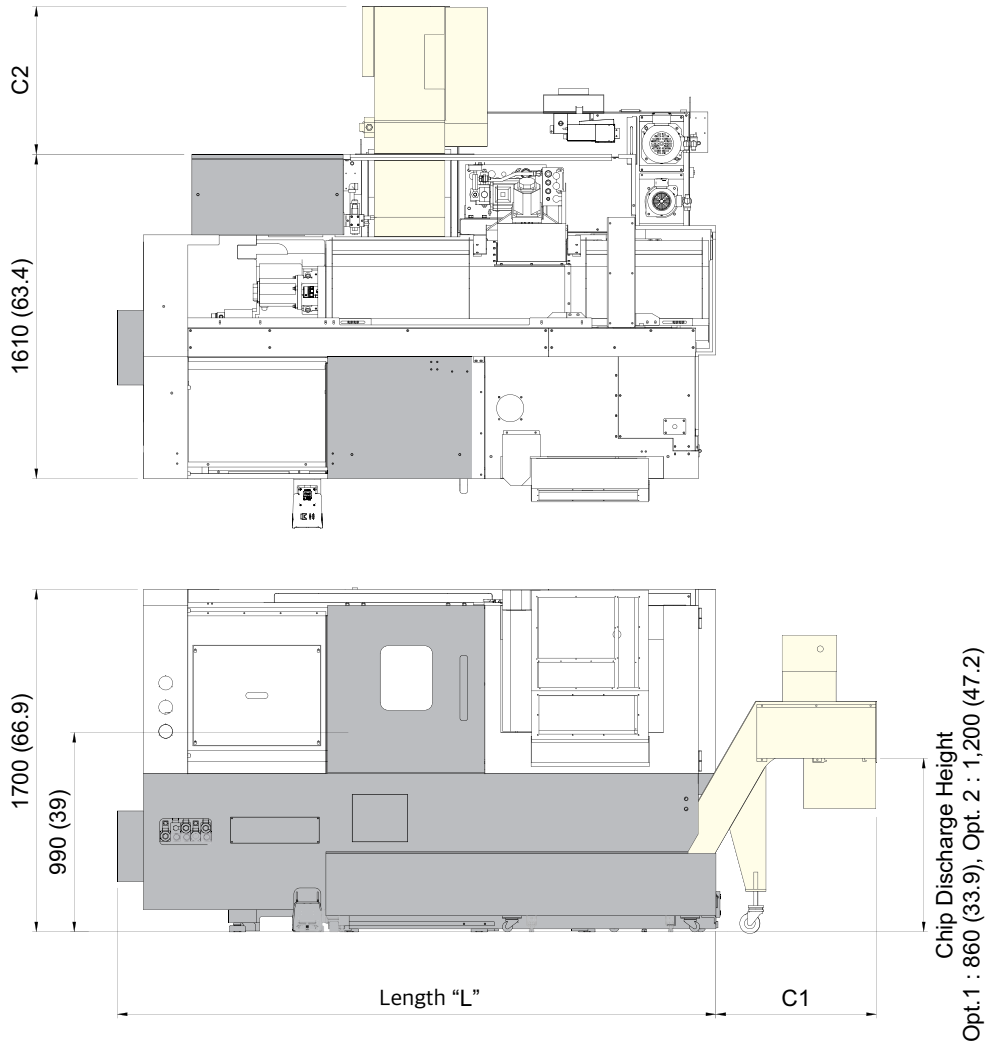
### Mill Turret 6,000 rpm (SIEMENS)



# SPECIFICATIONS

## External Dimensions

unit : mm(in)



ITEM	TC SERIES	Length "L"
2-axis	TC22A	2,120 mm (83.5")
	TC22	2,190 mm (86.2")
	TC22LA/L/LC	2,970 mm (116.9")
MILL	TC22MA	2,150 mm (84.6")
	TC22M	2,220 mm (87.4")
	TC22LMA/LM/LMC	2,970 mm (116.9")
SUB	TC22LMSA/LMS/LMSC	2,970 mm (116.9")
ITEM	Chip Discharge Height	C1 / C2
Chip Conveyor	Option 1 : 860 mm (33.9")	930 mm (36.6")
	Option 2 : 1,200 mm (47.2")	1,130 mm (44.5")

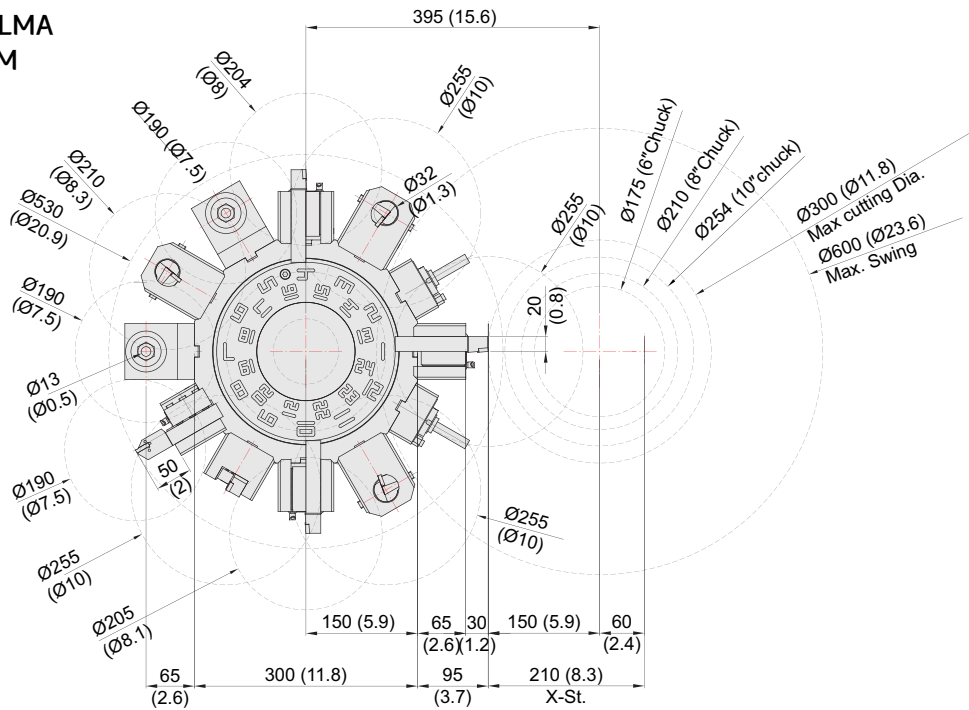


# SPECIFICATIONS

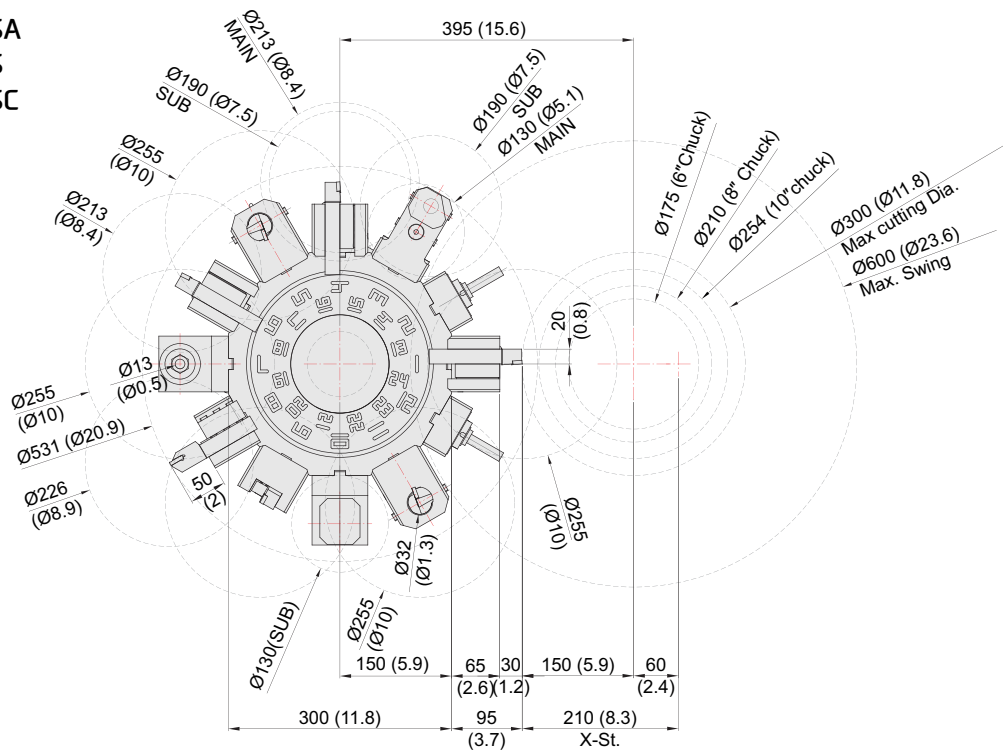
## Interference

unit : mm(in)

TC22MA/LMA  
TC22M/LM  
TC22LMC



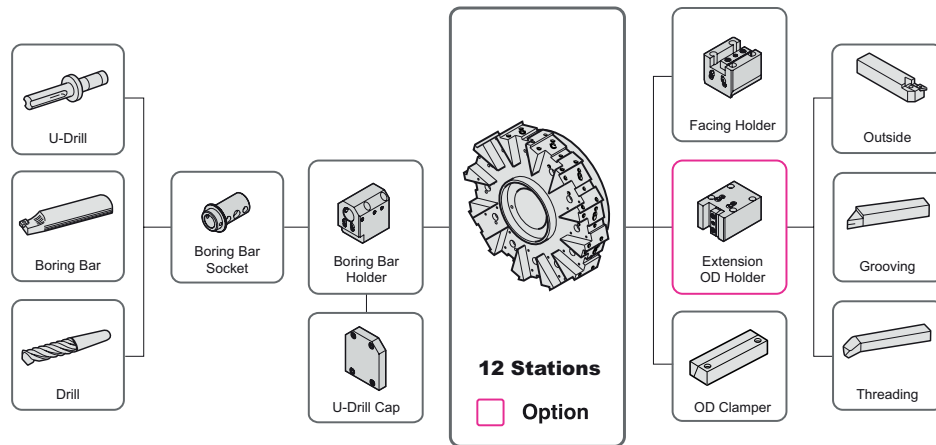
TC22LMSA  
TC22LMS  
TC22LMSC



# SPECIFICATIONS

## Tooling System

unit : mm(in)



### Std. Turret Tooling Parts Detail (TC22/A/LA/L/LC)

ITEM			6/8 inch	10 inch
Turning Holder	O.D Clamper		6	5
	O.D Holder	Extension	-	1
	Facing Holder		1	1
Boring Holder	I.D Holder	Single (Ø40, Ø1 1/2")	5	5
	U-Drill Holder	Cap	1	1
Driven Holder	Straight Mill Holder	Standard	-	-
		TTC	-	-
	Angular Mill Holder	Standard	-	-
		TTC	-	-
Socket	Boring	Ø10 (Ø3/8")	1	1
		Ø12 (Ø1/2")	1	1
		Ø16 (Ø5/8")	1	1
		Ø20 (Ø3/4")	1	1
		Ø25 (Ø1")	1	1
		Ø32 (Ø1 1/4")	1	1
	Drill	MT 1	Opt.	Opt.
		MT 2	Opt.	Opt.
	ER Collet		-	-

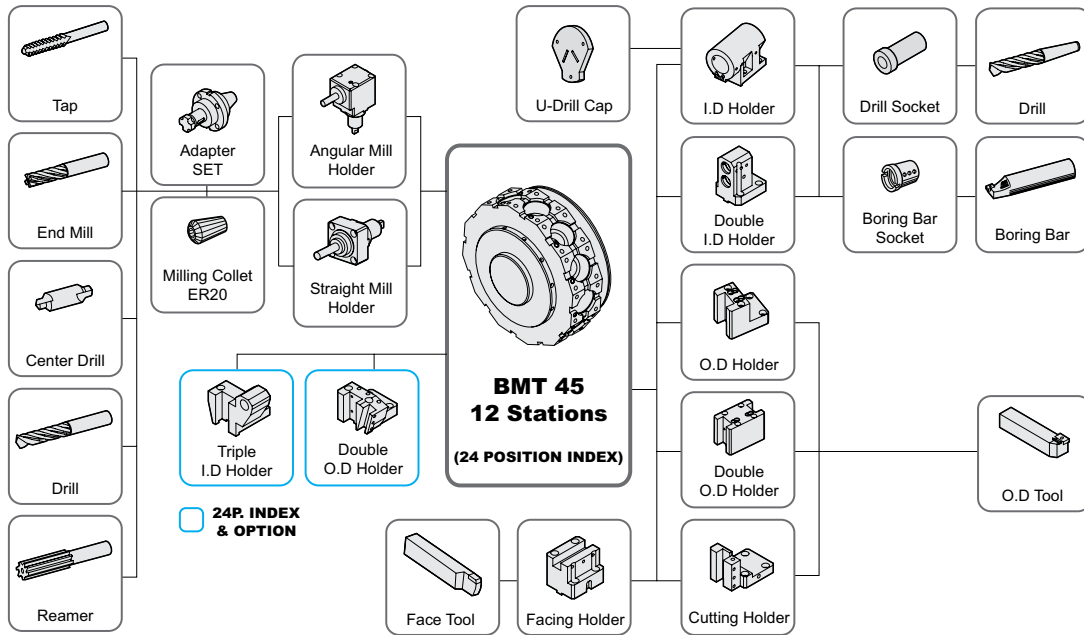
❖ Expansion external holder provided only for TC22LC model



# SPECIFICATIONS

## Tooling System

unit : mm(in)



## Mill Turret Tooling Parts Detail (TC22MA/LMA/M/LM/LMC)

ITEM			12 Stations	[24 Stations]
Turning Holder	O.D Holder	Right/Left	3	2
		Double	-	-
		Double (24P, Main)	-	1
		Double (24P, Sub)	-	-
	Facing Holder		1	1
	Cutting Holder		1	1
Boring Holder	I.D Holder	Single	2	1
		Double	-	-
		Triple	-	1
	U-Drill Holder	Cap	1	1
Driven Holder	Straight Mill Holder	Standard	2	2
	Angular Mill Holder	Standard	2	2
Socket	Boring	Ø10 (Ø3/8")	1	1
		Ø12 (Ø1/2")	1	1
		Ø16 (Ø5/8")	1	1
		Ø20 (Ø3/4")	1	1
		Ø25 (Ø1")	1	1
	Sub Boring	Ø8 (5/16")	-	-
		Ø10 (Ø3/8")	-	-
		Ø12 (1/2")	-	-
		Ø16 (5/8")	-	-
	Drill	MT 1	Opt.	Opt.
		MT 2	Opt.	Opt.
	ER Collet		1 Set	1 Set
	Adapter Set		Opt.	Opt.

Specifications are subject to change without notice for improvement.

SG WIA  
MACHINE TOOL

TC SERIES  
CNC Turning Center

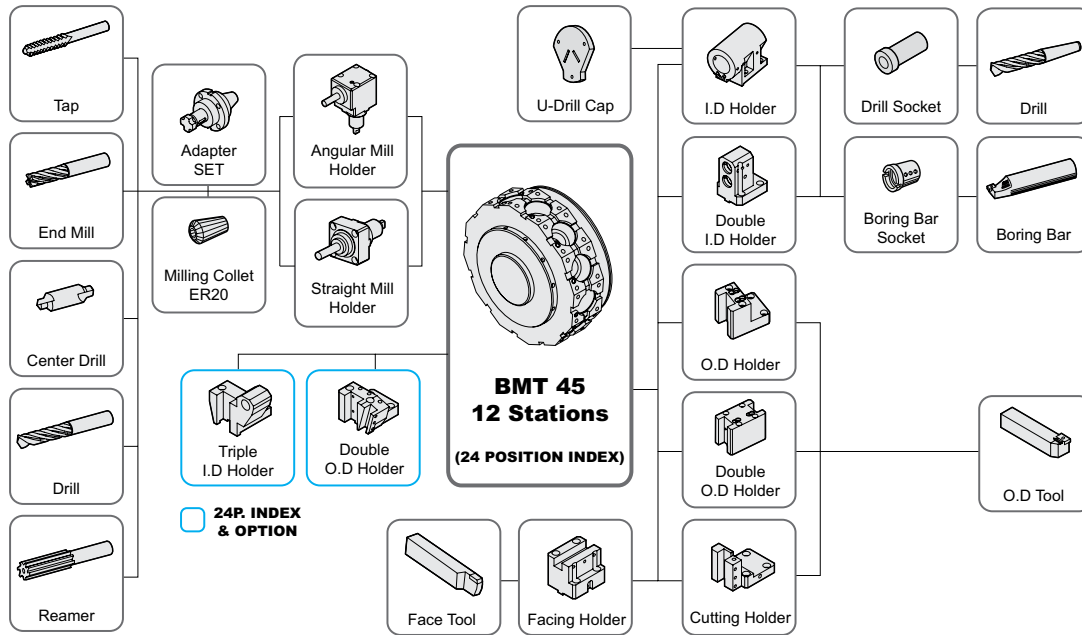
24  
+  
25

CREATING VALUE  
IN SEAMLESS MOBILITY

# SPECIFICATIONS

## Tooling System

unit : mm(in)



### Mill Turret Tooling Parts Detail (TC22LMSA/LMS/LMSC)

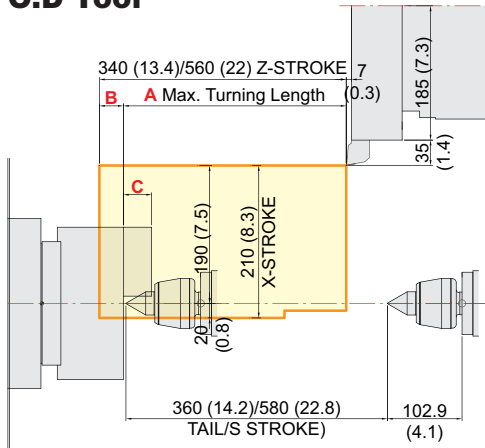
ITEM			12 Stations	[24 Stations]
Turning Holder	O.D Holder	Right/Left	2	-
		Double	1	1
		Double (24P, Main)	-	1
		Double (24P, Sub)	-	1
	Facing Holder	1	1	
Cutting Holder	1	1		
Boring Holder	I.D Holder	Single	1	-
		Double	1	1
		Triple	-	1
U-Drill Holder	Cap	1	1	
Driven Holder	Straight Mill Holder	Standard	2	2
	Angular Mill Holder	Standard	2	2
Socket	Boring	Ø10 (Ø3/8")	1	1
		Ø12 (Ø1/2")	1	1
		Ø16 (Ø5/8")	1	1
		Ø20 (Ø3/4")	1	1
		Ø25 (Ø1")	1	1
	Sub Boring	Ø8 (5/16")	1	1
		Ø10 (Ø3/8")	1	1
		Ø12 (1/2")	1	1
		Ø16 (5/8")	1	1
	Drill	MT 1	Opt.	Opt.
		MT 2	Opt.	Opt.
	ER Collet		1 Set	1 Set
	Adapter Set		Opt.	Opt.

# SPECIFICATIONS

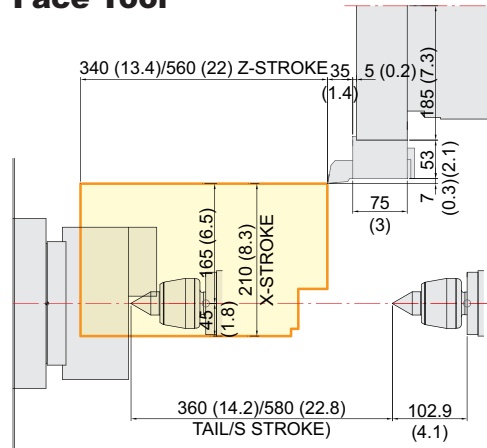
Tooling Travel Range (TC22A/LA | TC22/L/LC)

unit : mm(in)

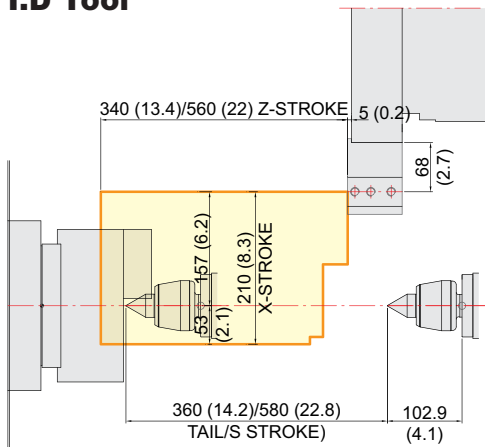
## O.D Tool



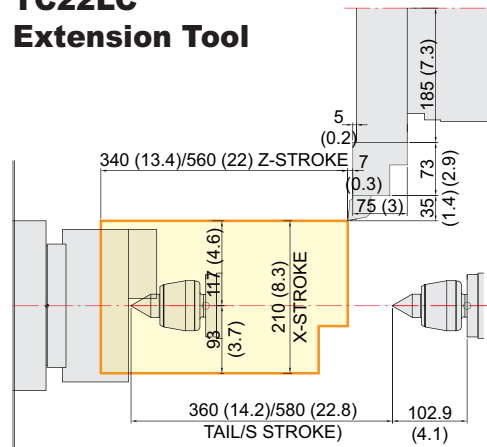
## Face Tool



## I.D Tool



## TC22LC Extension Tool

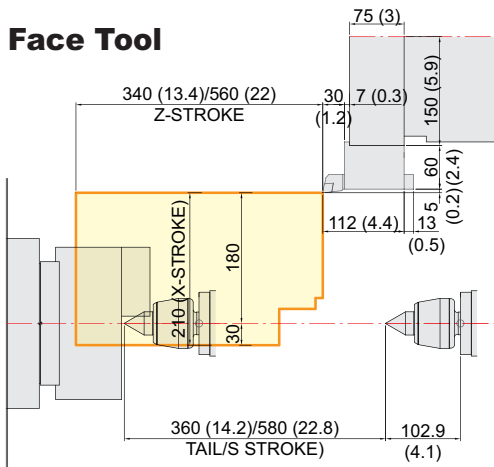
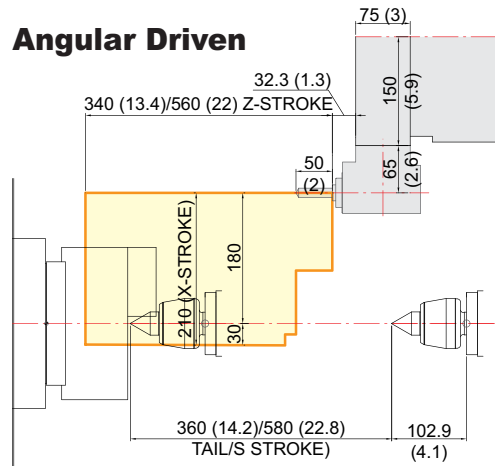
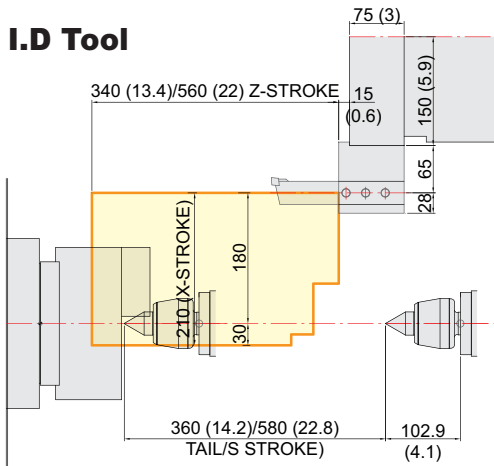
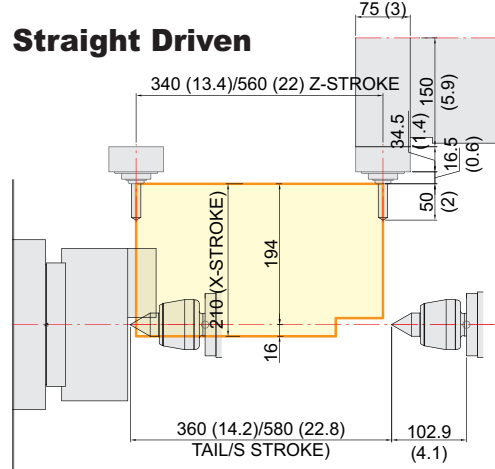
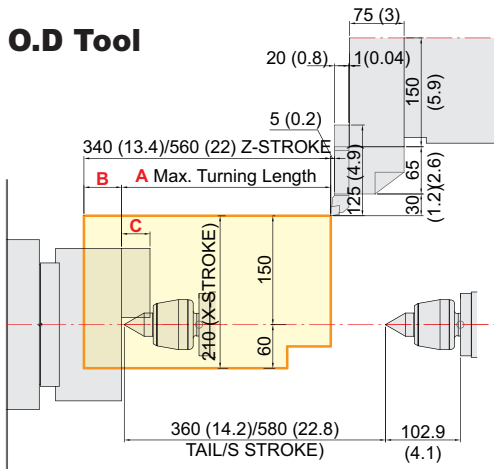


ITEM	A	B	C
TC22A	340 (13.4)	-	32.5 (1.3)
TC22LA	560 (22)		
TC22	307 (12.1)	33 (1.3)	39 (1.5)
TC22L	558 (22)	2 (0.08)	
TC22LC	549 (21.6)	11 (0.43)	43 (1.7)

# SPECIFICATIONS

Tooling Travel Range (TC22MA/LMA | TC22M/LM/LMC)

unit : mm(in)

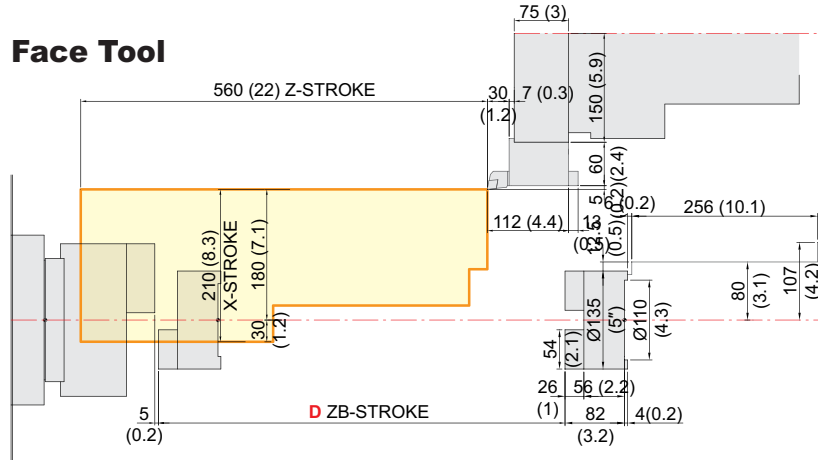
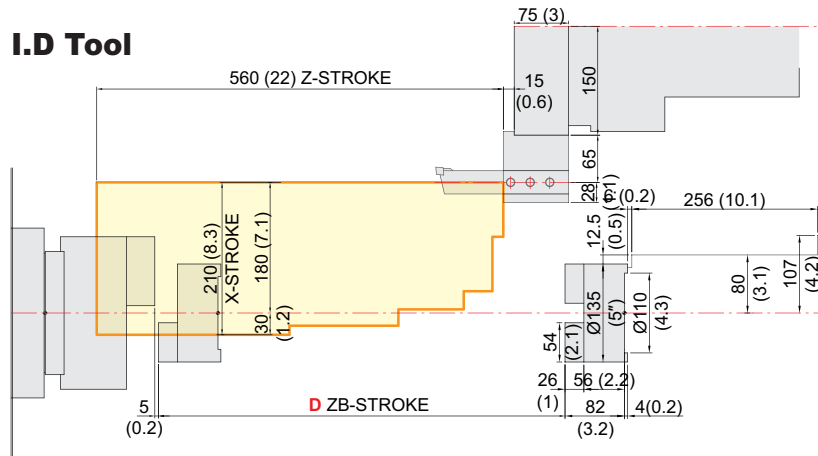
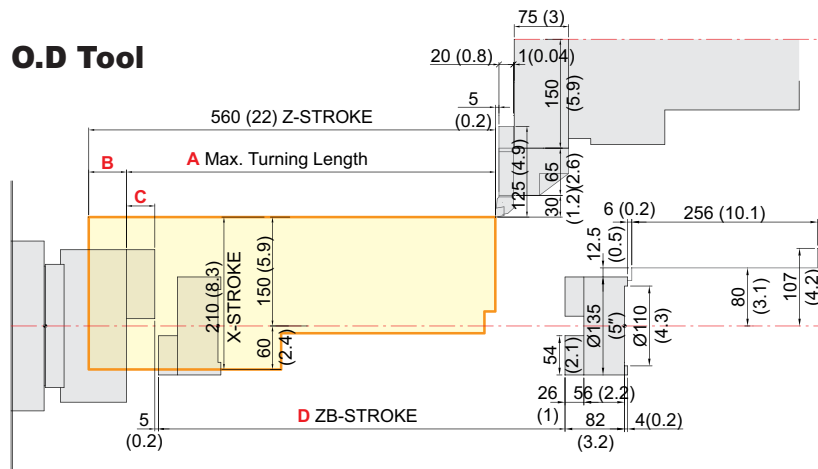


ITEM	A	B	C
TC22MA	309 (12.2)		
TC22LMA	529 (20.8)	31 (1.2)	32.5 (1.3)
TC22M	288 (11.3)	52 (2)	39 (1.5)
TC22LM	508 (20)		
TC22LMC	499 (19.6)	61 (2.4)	43 (1.7)

# SPECIFICATIONS

Tooling Travel Range (TC22LMSA/LMS/LMSC)

unit : mm(in)

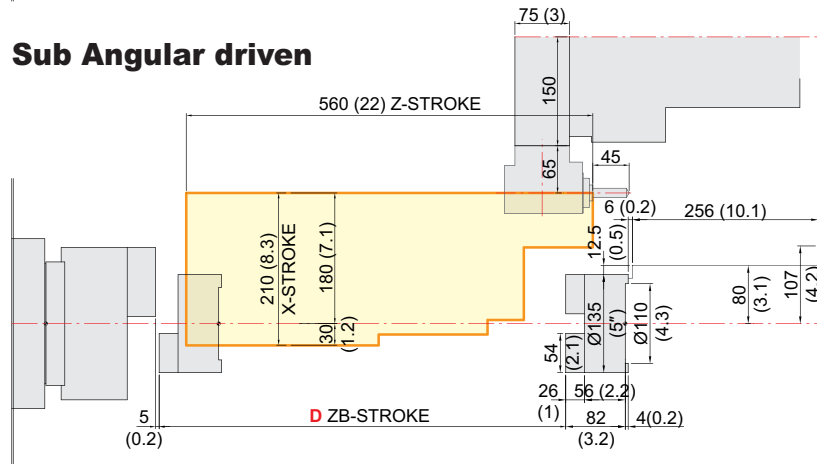
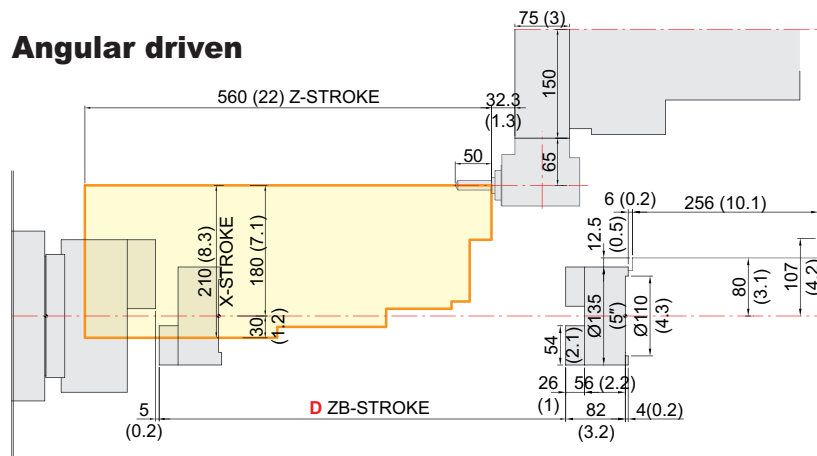
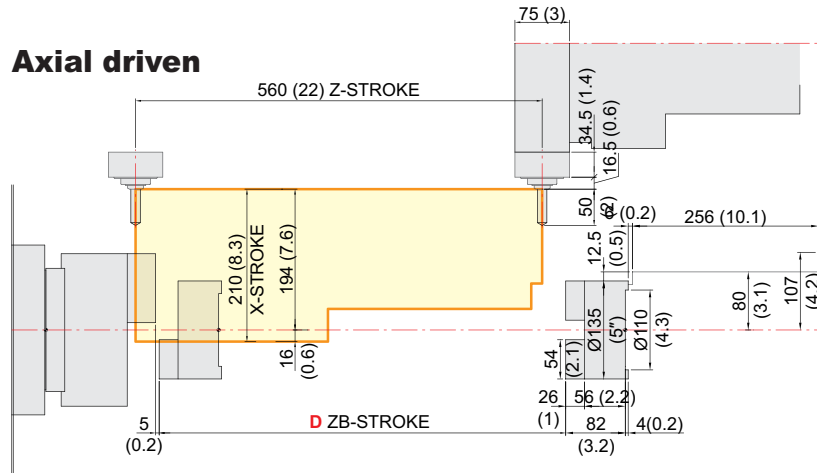


ITEM	A	B	C	D
TC22LMSA	529 (20.8)	31 (1.2)	32.5 (1.3)	599.3 (23.6)
TC22LMS	508 (20)	52 (2)	39 (1.5)	560 (22) [SIEMENS : 530 (20.9)]
TC22LMSC	499 (19.6)	61 (2.4)	43 (1.7)	547 (21.5) [SIEMENS : 517 (20.4)]

# SPECIFICATIONS

## Tooling Travel Range (TC22LMSA/LMS/LMSC)

unit : mm(in)



ITEM	A	B	C	D
TC22LMSA	529 (20.8)	31 (1.2)	32.5 (1.3)	599.3 (23.6)
TC22LMS	508 (20)	52 (2)	39 (1.5)	560 (22) [SIEMENS : 530 (20.9)]
TC22LMSC	499 (19.6)	61 (2.4)	43 (1.7)	547 (21.5) [SIEMENS : 517 (20.4)]

# SPECIFICATIONS

## Specifications

[ ] : Option

ITEM		TC22A	TC22LA	TC22MA	TC22LMA	TC22LMSA	
CAPACITY	Max. Swing	mm(in) Ø600 (Ø23.6")					
	Swing Over the Carriage	mm(in) Ø390 (Ø15.4")					
	Max. Turning Dia.	mm(in) Ø350 (Ø13.8")			Ø300 (Ø11.8")		
	Max. Turning Length	mm(in) 340 (13.4")	560 (22")	309 (12.2")	529 (20.8")		
	Bar Capacity	Main	mm(in) Ø51 (Ø2")				
Sub						Ø32 (Ø1.3")	
SPINDLE	Chuck Size	Main	inch 6"				
		Sub	inch -				5"
	Spindle Bore	Main	mm(in) Ø60 (Ø2.4")				
		Sub	mm(in) -				Ø42 (Ø1.7")
	Spindle Speed (rpm)	Main	r/min 6,000				
		Sub	r/min -				6,000
	Motor (Max./Cont.)	Main	kW(HP) 15/11 (20/15)				
		Sub	kW(HP) -				7.5/3.7 (10/5)
	Torque (Max./Cont.)	Main	N·m(lbf·ft) 127/70 (93.7/51.6)				
		Sub	N·m(lbf·ft) -				63.6/23.6 (46.9/17.4)
	Spindle Nose	Main	-				A2-5
		Sub	mm(in) -				FLAT TYPE
	Spindle Type	Main	-				BELT
Sub		-				BELT	
C-axis Indexing	deg	-			0.001°		
FEED	Travel	X/Z	mm(in) 210/340 (8.3"/13.4")	210/560 (8.3"/22")	210/340 (8.3"/13.4")	210/560 (8.3"/22")	
		ZB	mm(in) -				599.3 (23.6")
	Rapid Traverse Rate	X/Z	m/min(ipm) 30/36 (1,181/1,417)				
		ZB	m/min(ipm) -				15 (591)
Slide Type	-	ROLLER LM GUIDE					
TURRET	No. of Tools	ea 12"			12 [24]		
	Tool Size	O.D./I.D	mm(in) □ 25/Ø40 (□ 1"/Ø1 1/2")		□ 20/Ø32 (□ 3/4"/Ø1 1/4")		
	Indexing Time	sec/step 0.15					
LIVE TOOL	Milling Tool Speed (rpm)	r/min -			6,000		
	Motor (Max./Cont.)	kW(HP) -			3.9/2.6 (5.2/3.5)		
	Torque (Max./Cont.)	N·m(lbf·ft) -			36.7/18.5 (27.1/13.6)		
	Collet Size	mm(in) -			ER20 / Ø13 (Ø0.5")		
	Type	-			BMT45		
TAIL STOCK	Taper	-				MT#4	
	Quill Dia.	mm(in) Ø56 (Ø2.2")					
	Travel	mm(in) 360 (14.2")	580 (22.8")	360 (14.2")	580 (22.8")	-	
TANK CAPACITY	Coolant Tank	ℓ(gal) 150 (39.6) 200 (52.8) 150 (39.6) 200 (52.8)					
	Lubricating Tank	ℓ(gal) 0.7 (0.18)					
POWER SUPPLY	Electric Power Supply	kVA 18				23	
	Thickness of Power Cable	mm <sup>2</sup> Over 16					
	Voltage	V/Hz 220V, 50/60Hz					
MACHINE	Floor Space (L×W)	mm(in) 2,120×1,610 (83.5"×63.4")	2,970×1,610 (116.9"×63.4")	2,150×1,610 (84.6"×63.4")	2,970×1,610 (116.9"×63.4")		
	Height	mm(in) 1,700 (66.9")					
	Weight	kg(lb) 3,100 (6,834)	3,500 (7,716)	3,150 (6,945)	3,550 (7,826)	3,650 (8,047)	
CNC	Controller	-					FANUC i - Smart Plus

Specifications are subject to change without notice for improvement.

SG WIA  
MACHINE TOOL

TC SERIES  
CNC Turning Center

30  
+  
31

CREATING VALUE  
IN SEAMLESS MOBILITY

# SPECIFICATIONS

## Specifications

[ ] : Option

ITEM		TC22	TC22L	TC22M	TC22LM	TC22LMS		
CAPACITY	Max. Swing	mm(in)	Ø600 (Ø23.6")					
	Swing Over the Carriage	mm(in)	Ø390 (Ø15.4")					
	Max. Turning Dia.	mm(in)	Ø350 (Ø13.8")		Ø300 (Ø11.8")			
	Max. Turning Length	mm(in)	307 (12.1")	558 (22")	288 (11.3")	508 (20")		
	Bar Capacity	Main	mm(in)	Ø65 (Ø2.6")				
Sub		mm(in)	-			Ø32 (Ø1.3")		
SPINDLE	Chuck Size	Main	inch	8"				
		Sub	inch	-			5"	
	Spindle Bore	Main	mm(in)	Ø75 (Ø3")				
		Sub	mm(in)	-			Ø42 (Ø1.7")	
	Spindle Speed (rpm)	Main	r/min	4,500				
		Sub	r/min	-			6,000	
	Motor (Max./Cont.)	Main	kW(HP)	15/11 (20/15)		15/11 (20/15) [12.2/9 (16.4/12)]		
		Sub	kW(HP)	-			7.5/3.7 (10/5) [7.4/4.9 (93.9/66)]	
	Torque (Max./Cont.)	Main	N·m(lbf·ft)	167/92 (123.2/67.9)		167/92 (123.2/67.9) [136.5/100 (100.7/73.8)]		
		Sub	N·m(lbf·ft)	-			63.6/23.6 (46.9/17.4) [47/31.1 (34.7/22.9)]	
	Spindle Nose	Main	-	A2-6				
		Sub	mm(in)	-			FLAT TYPE	
	Spindle Type	Main	-	BELT				
Sub		-	-			BELT		
C-axis Indexing	deg	-		0.001°				
FEED	Travel	X/Z	mm(in)	210/340 (8.3"/13.4")	210/560 (8.3"/22")	210/340 (8.3"/13.4")	210/560 (8.3"/22")	
		ZB	mm(in)	-			560 (22") [530 (20.9")]	
	Rapid Traverse Rate	X/Z	m/min(ipm)	30/36 (1,181/1,417)				
		ZB	m/min(ipm)	-			15 (591)	
Slide Type	-	ROLLER LM GUIDE						
TURRET	No. of Tools	ea	12		12 [24]			
	Tool Size	O.D/I.D	mm(in)	□ 25/Ø40 (□ 1"/Ø1 1/2")		□ 20/Ø32 (□ 3/4"/Ø1 1/4")		
	Indexing Time	sec/step	0.15					
LIVE TOOL	Milling Tool Speed (rpm)	r/min	-		6,000			
	Motor (Max./Cont.)	kW(HP)	-		3.9/2.6 (5.2/3.5) [3.7/2.8 (5/3.8)]			
	Torque (Max./Cont.)	N·m(lbf·ft)	-		36.7/18.5 (27.1/13.6) [35/27 (25.8/19.9)]			
	Collet Size	mm(in)	-		ER20 / Ø13 (Ø0.5")			
	Type	-	-		BMT45			
TAIL STOCK	Taper	-	MT#4				-	
	Quill Dia.	mm(in)	Ø56 (Ø2.2")				-	
	Travel	mm(in)	360 (14.2")	580 (22.8")	360 (14.2")	580 (22.8")	-	
TANK CAPACITY	Coolant Tank	ℓ(gal)	150 (39.6)	200 (52.8)	150 (39.6)	200 (52.8)		
	Lubricating Tank	ℓ(gal)	0.7 (0.18)					
POWER SUPPLY	Electric Power Supply	kVA	18			23		
	Thickness of Power Cable	mm <sup>2</sup>	Over 16					
	Voltage	V/Hz	220V, 50/60Hz					
MACHINE	Floor Space (L×W)	mm(in)	2,190×1,610 (86.2"×63.4")	2,970×1,610 (116.9"×63.4")	2,220×1,610 (87.4"×63.4")	2,970×1,610 (116.9"×63.4")		
	Height	mm(in)	1,700 (66.9")					
	Weight	kg(lb)	3,200 (7,055)	3,600 (7,937)	3,250 (7,165)	3,650 (8,047)	3,750 (8,267)	
CNC	Controller	-	FANUC i – Smart Plus		FANUC i – Smart Plus [SIEMENS 828D]			

Specifications are subject to change without notice for improvement.



# SPECIFICATIONS

## Specifications

[ ] : Option

ITEM		TC22LC	TC22LMC	TC22LMSC
CAPACITY	Max. Swing	mm(in) Ø600 (Ø23.6")		
	Swing Over the Carriage	mm(in) Ø390 (Ø15.4")		
	Max. Turning Dia.	mm(in) Ø350 (Ø13.8")	Ø300 (Ø11.8")	
	Max. Turning Length	mm(in) 549 (21.6")	499 (19.6")	
	Bar Capacity	Main	mm(in) Ø81 (Ø3.2")	
Sub		-		Ø32 (Ø1.3")
SPINDLE	Chuck Size	Main	inch 10"	
		Sub	inch - 5"	
	Spindle Bore	Main	mm(in) Ø91 (Ø3.6")	
		Sub	mm(in) - Ø42 (Ø1.7")	
	Spindle Speed (rpm)	Main	r/min 3,500	
		Sub	r/min - 6,000	
	Motor (Max./Cont.)	Main	kW(HP) 18.5/11 (25/15) [Power Up : 18.5/15 (25/20)]	
		Sub	kW(HP) - 7.5/3.7 (10/5) [7.4/4.9 (93.9/6.6)]	
	Torque (Max./Cont.)	Main	N·m(lbf·ft) 269/120 (198.4/88.5) [Power Up : 269/164 (198.4/121)]	
		Sub	N·m(lbf·ft) - 63.6/23.6 (46.9/17.4) [47/31.1 (34.7/22.9)]	
	Spindle Nose	Main	- A2-8	
		Sub	mm(in) - FLAT TYPE	
	Spindle Type	Main	- BELT	
Sub		- BELT		
C-axis Indexing	deg	- 0.001°		
FEED	Travel	X/Z	mm(in) 210/560 (8.3"/22")	
		ZB	mm(in) - 547 (21.5") [517 (20.4")]	
	Rapid Traverse Rate	X/Z	m/min(ipm) 30/36 (1,181/1,417)	
		ZB	m/min(ipm) - 15 (591)	
Slide Type	-	ROLLER LM GUIDE		
TURRET	No. of Tools	ea	12 [24]	
	Tool Size	O.D./I.D	mm(in) □25/Ø40 (□1"/Ø1 1/2") □20/Ø32 (□3/4"/Ø1 1/4")	
	Indexing Time	sec/step	0.15	
LIVE TOOL	Milling Tool Speed (rpm)	r/min	- 6,000	
	Motor (Max./Cont.)	kW(HP)	- 3.9/2.6 (5.2/3.5) [3.7/2.8 (5/3.8)]	
	Torque (Max./Cont.)	N·m(lbf·ft)	- 36.7/18.5 (27.1/13.6) [35/27 (25.8/19.9)]	
	Collet Size	mm(in)	- ER20 / Ø13 (Ø0.5")	
	Type	-	- BMT45	
TAIL STOCK	Taper	-	MT#4 -	
	Quill Dia.	mm(in)	Ø56 (Ø2.2") -	
	Travel	mm(in)	580 (22.8") -	
TANK CAPACITY	Coolant Tank	ℓ(gal)	200 (52.8)	
	Lubricating Tank	ℓ(gal)	0.7 (0.18)	
POWER SUPPLY	Electric Power Supply	kVA	18 23	
	Thickness of Power Cable	mm <sup>2</sup>	Over 16	
	Voltage	V/Hz	220V, 50/60Hz	
MACHINE	Floor Space (L×W)	mm(in)	2,970×1,610 (116.9"×63.4")	
	Height	mm(in)	1,700 (66.9")	
	Weight	kg(lb)	3,700 (8,157) 3,750 (8,267) 3,850 (8,488)	
CNC	Controller	-	FANUC i - Smart Plus FANUC i - Smart Plus [SIEMENS 828D]	

Specifications are subject to change without notice for improvement.

SG WIA  
MACHINE TOOL

TC SERIES  
CNC Turning Center

32  
+  
33

CREATING VALUE  
IN SEAMLESS MOBILITY

# CONTROLLER

## FANUC i Series – Smart Plus

[ ] : Option

Controlled axis / Display / Accuracy Compensation	
Control axis	2 axis (X, Z) / 3 axis (X, Z, C) / 4 axis (X, Z, Y, C) 5 axis (X, Z, B, C, A) / 6 axis (X, Z, Y, B, C, A) 7 axis (X1/Z1, X2/Z2, B2, C1/C2)
Simultaneously controlled axis	2 axis [Max. 4 axis]
Designation of spindle axis	3 axis [Max. 4 axis] X, Z, Y, B axis : 0.001 mm (0.0001 inch)
Least setting Unit	C, A axis : 0.001 deg
Least input increment	X, Z, Y, B axis : 0.001 mm (0.0001 inch) C, A axis : 0.001 deg
Inch / Metric conversion	G20 / G21
High response vector control	
Interlock	All axis / Each axis
Machine lock	All axis
Backlash compensation	± 0~9999 pulses (exc. Rapid traverse / Cutting feed)
Position switch	
LCD / MDI	15 inch LCD unit (with Touch Panel)
Feedback	Absolute motor feedback
Stored stroke check 1	Over travel
Stored stroke check 2, 3	
PMC axis control	
Operation	
Automatic operation (Memory)	
MDI operation	
DNC operation	Needed DNC software / CF card
Program restart	
Wrong operation prevention	
Program check function	Dry run
Single block	
Search function	Program Number / Sequence Number
Interpolation functions	
Pano interpolation	
Positioning	G00
Linear interpolation	G01
Circular interpolation	G02, G03
Exact stop mode	Single : G09, Continuous : G61
Dwell	G04, 0 ~ 9999.9999 sec
Skip	G31
Reference position return	1st reference : G28, 2nd reference : G30 Ref. position check : G27
Thread synchronous cutting	G33
Thread cutting retract	
Variable lead thread cutting	
Multi / Continuous threading	
Feed function / Acc. & Dec. control	
Manual feed	Rapid traverse Jog : 0~2,000 mm/min (79 ipm) Manual handle : x1, x10, x100 pulses Reference position return
Cutting Feed command	Direct input F code
Feedrate override	0 ~ 200% (10% Unit)
Rapid traverse override	1%, F25%, 50%, 100%
Override cancel	
Feed per minute	G98
Feed per revolution	G99
Look-ahead block	1 block
Program input	
Tape Code	EIA / ISO
Optional block skip	9 ea
Program stop / end	M00, M01 / M02, M30
Maximum command unit	± 999,999.999 mm (± 99,999.9999 inch)
Plane selection	X-Y : G17 / Z-X : G18 / Y-Z : G19
Workpiece coordinate system	G52, G53, 6 pairs (G54 ~ G59)
Manual absolute	Fixed ON
Programmable data input	G10
Sub program call	10 folds nested
Custom macro	#100 ~ #199, #500 ~ #999
G code system	A, B/C
Programmable mirror image	G51.1, G50.1
G code preventing buffering	G4.1
Direct drawing dimension program	Including Chamfering / Corner R
Conversational Program	SmartGuide-i

Program input	
Multiple repetitive cycles	1, 11
Canned cycle for turning	
Auxiliary function / Spindle speed function	
Auxiliary function	M & 4 digit
Level-up M Code	High speed / Multi / Bypass M code
Spindle speed function	S & 5 digit, Binary output
Spindle override	0% ~ 150% (10% Unit)
Multi position spindle orientation	M19 (S##)
Rigid tapping	
Constant surface speed control	G96, G97
Tool function / Tool compensation	
Tool function	T & 2 digit + Offset 2 digit
Tool life management	
Tool offset pairs	128 pairs
Tool nose radius compensation	G40, G41, G42
Geometry / Wear compensation	
Direct input of offset measured B	
Editing function	
Part program storage size	5,120m (2MB)
No. of registerable programs	1,000 ea
Program protect	
Background editing	
Extended part program editing	Copy, move and change of NC program
Memory card program edit	
Data input / output & Interface	
I/O interface	CF card, USB memory Embedded Ethernet interface
Screen hard copy	
External message	
External key input	
External workpiece number search	
Automatic data backup	
Setting, display and diagnosis	
Self-diagnosis function	
History display & Operation	Alarm & Operator message & Operation
Run hour / Parts count display	
Maintenance information	
Actual cutting feedrate display	
Display of spindle speed / T code	
Graphic display	
Operating monitor screen	Spindle / Servo load etc.
Power consumption monitoring	Spindle & Servo
Spindle / Servo setting screen	
Multi language display	Support 24 languages
Display language switching	Selection of 5 optional Languages
LCD Screen Saver	Screen saver
Unexpected disturbance torque	BST (Back spin torque limit)
Function for machine type	
Cs contour control (C & A axis)	Mill, MS, Y, SY, LF-Mill, TTMS, TTSY
Polar coordinate interpolation	Mill, MS, Y, SY, LF-Mill, TTMS, TTSY
Cylindrical interpolation	Mill, MS, Y, SY, LF-Mill, TTMS, TTSY
Polygon turning (2 Spindles)	Mill, MS, Y, SY, LF-Mill, TTMS, TTSY
Canned cycle for drilling	Mill, MS, Y, SY, LF-Mill, TTMS, TTSY
Spindle orientation expansion	MS, SY TTS, TTMS, TTSY
Spindle synchronous control	MS, SY TTS, TTMS, TTSY
Torque control	MS, SY TTS, TTMS, TTSY
Y axis offset	Y, SY, TTSY
Arbitrary angular control	Y, SY, TTSY
Composite / Superimposed control	MS, SY, TTS, TTMS, TTSY
Balance cutting	TTS, TTMS, TTSY
Option	
Fast ethernet	Needed option board
Data server	Needed option board
Protection of data at 8 levels	
Tool offset pairs	200 pairs
Helical interpolation	
Optional block skip	40 ea, 200 ea (AICC 11)

Figures in inch are converted from metric values.

The FANUC controller specifications are subject to change based on the policy of company CNC supplying.

# CONTROLLER

## SIEMENS 828D

[ ] : Option ☆ Needed technical consultation

Controlled axis / Display / Accuracy Compensation	
Control axis	2 axis (X, Z) – Std.
	3 axis (X, Z, C) – Mill
	4 axis (X, Z, Y, C) – Y
	5 axis (X, Z, B, C, A) – MS
	6 axis (X, Z, Y, B, C, A) – SY
	Max. 4 axis
Simultaneously controlled axis	X, Z, Y, B axis : 0.001 mm (0.0001 inch)
Least setting Unit	C, A axis : 1 deg [0.001] deg
	X, Z, Y, B axis : 0.001 mm (0.0001 inch)
Least input increment	C, A axis : 1 deg [0.001] deg
	G70 (inch) / G71 (metric)
Inch / Metric changeover	All axis / Each axis
Interlock	Backlash compensation
Backlash compensation	Pitch error compensation
Pitch error compensation	Leadscrew pitch error compensation
LCD / MDI	15 inch color LCD (With Touch panel)
Keyboard	QWERTY full keyboard
Stored stroke check	Over travel
<b>Operation</b>	
Automatic operation	
MDI operation	
Program restart	
Program check function	Dry run / Program check / Machine lock
Single block	
Block search	Block search
Reposition	
Working area limit	Working area limitations
<b>Interpolation functions</b>	
Positioning	G00
Linear interpolation	G01
Circular interpolation	Circular interpolation CW (G02)
	Circular interpolation CCW (G03)
Exact position stop	Single block exact stop (G09)
	Exact stop G60 (G601, G602, G603)
Dwell	Dwell (G04)
Reference position return	Return to reference point
	Return to 2nd reference point
Helical interpolation	
Thread synchronous cutting	
Thread cutting retract	
Spline interpolation	Non-uniform rational B splines
<b>Feed function / Acc. &amp; Dec. control</b>	
Manual feed	Rapid traverse
	Jog
	Manual handle
	Reference position return
	Direct input F code
Cutting feed command	
Feedrate override	0 ~ 200% (10% Unit)
Rapid traverse override	1%, 25%, 50%, 100%
Feed per minute	G94
Feed per revolution	G95
Look-ahead block	1 block
<b>Program input</b>	
ISO support	G291 (ISO)/G290 (SIEMENS) (ISO G Code system-A)
Optional block skip	2
Program stop / end	M00, M01 / M02, M30
Maximum command unit	± 999,999,999 mm, ± 99,999,999 inch
Plane selection	X-Y : G17, X-Z : G18, Y-Z : G19
	G54 ~ G57, G505~G549
	G500 (Basic frame – setable zero offset)
Workpiece coordinate system	G53 (Work offset non modal)
	G153 (basic frame non modal)
Sub program call	11 folds nested
G code preventing buffering	STOPRE
Turning cycle	Turning programing (Cycle 93, 94, 95, 97)
User cycle	
3D simulation	
Real time simulation	
Shop Turn	Machining step programming for turning

Auxiliary function / Spindle speed function	
Auxiliary function	M Code 4 digit
Spindle speed function	S Code 5 digit
Spindle override	0% ~ 150% (10% Unit)
Spindle orientation	SPOS
Rigid tapping	
Automatic mode interchange	Spindle / Axis mode
Constant surface speed control	G96, G97
Spindle speed limitation	LIMS
<b>Tool function / Tool compensation</b>	
Tool function	Tool number & Tool name
Tool life management	Tool : T + Offset : D
Tools in tool list	128 ea : Std.
	256 ea : Mill
	768 ea : Y, MS, SY
Cutting Edges in tool list	256 ea : Std.
	512 ea : Mill
	1,536 ea : Y, MS, SY
Tool nose radius compensation	ISO (G40, G41, G42)
Geometry / Wear compensation	
Measurement of tool length	
Tool management function	
<b>Editing function</b>	
Part program storage size	3MB – Std.
	5MB – Mill
	10MB – Y, MS, SY
No. of registerable programs	750 ea
External Storage devices	Local network, Server, USB, Flash drive
Background editing	
Extended part program editing	Copy, move and change of NC program
Memory card program edit	
<b>Data input / output &amp; Interface</b>	
I/O interface	CF card interface (ONLY 10.4")
	USB memory interface
	Embedded Ethernet memory interface
Screenshot	
<b>Setting, display and diagnosis</b>	
Self-diagnosis function	
History display & Operation	Alarm & Operator message & Operation
Run hour / Parts count display	
Maintenance information	
Actual cutting feedrate display	
Display of spindle speed / T code	
Graphic display	
Operating monitor screen	Spindle / Servo load etc.
Multi language display	Support 9 languages
	Chinese (Simplified/Traditional), English, French, German, Italian, Korean, Portuguese, Spanish
	[☆ Support 22 languages : Inquiry need]
LCD Screen Saver	Screen saver & Motion sensing
<b>Function for machine type</b>	
Cs contour control (C & A axis)	Mill, MS, Y, SY model
Polar coordinate interpolation	Mill, MS, Y, SY model
Cylindrical interpolation	Mill, MS, Y, SY model
Canned cycle for drilling	Mill, MS, Y, SY model
[Polygon turning (CP-Basic)]	Mill, MS, Y, SY model
[Hobbing / Skybing (CP-Comfort)]	Mill, MS, Y, SY model
Spindle synchronous control	MS, SY model
Servo tailstock function	MS, SY model
<b>Option</b>	
Additional optional block skip	10
Contour handwheel	